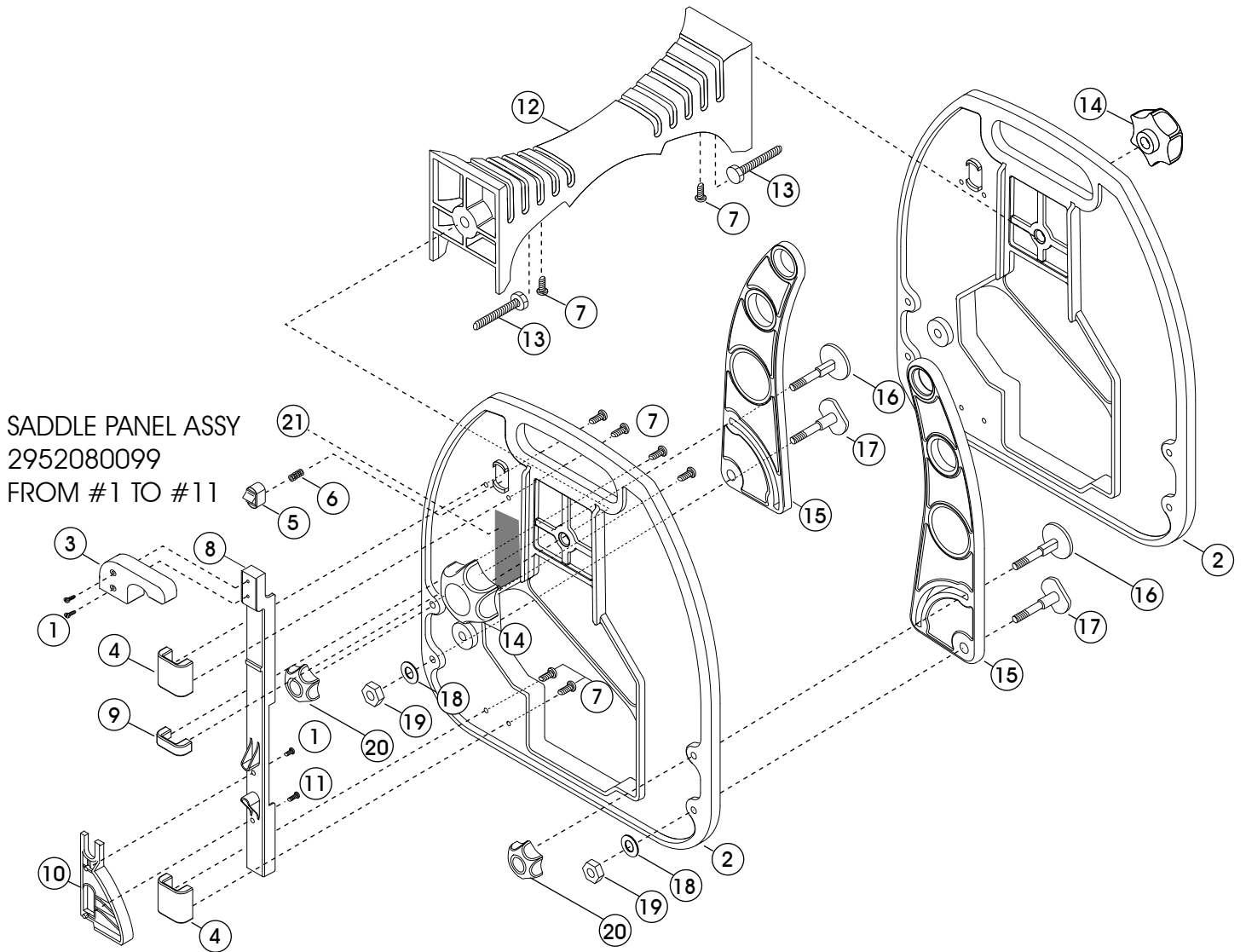


Scooter saddle after '05



No.	Code	Description	No.	Code	Description
1	3990100100	SCREW (SUS304 M3X10)	13	3990100005	BOLT/SADDLE M8X40 SUS
2	3952086021	PANEL FOR AV-2 SADDLE (ABS)	14	3952086006	MOUNT KNOB WITH NUT M8 SUS
3	3952086017	GRIP FOR SADDLE LEVER	15	3952086011	WING ABS
4	3952086005	COVER FOR SADDLE LEVER (ABS)	16	3952086008	WING ADJUST AXIS
5	3952086016	RATCHET (POM)	17	3952086009	WING CENTER AXIS ABS
6	3951200013	RATCHET SPRING	18	3990100012	WASHER M5 SUS FOR SADDLE
7	3990100602	TAPPING SCREW M3.5X12SUS	19	3990100750	U NUT M5 SUS304 FOR SADDLE
8	3952086013	SWITCH BAR (ABS)	20	3952086007	KNOB/ADJUSTAXIS WITH NUT M5
9	3952086015	HOLDER FOR SWITCH LEVER ABS FOR SADDLE	21	3954600006	LABEL FOR SPEED CONTROL
10	3952086018	SWITCH CAM (POM) FOR SADDLE			
11	3990100501	O1.30-82 SCREW RETAINER PLT (M3X12 TP)	1~11	2952080099	SADDLE PANEL ASSEMBLY
12	3952086002	SADDLE ABS			