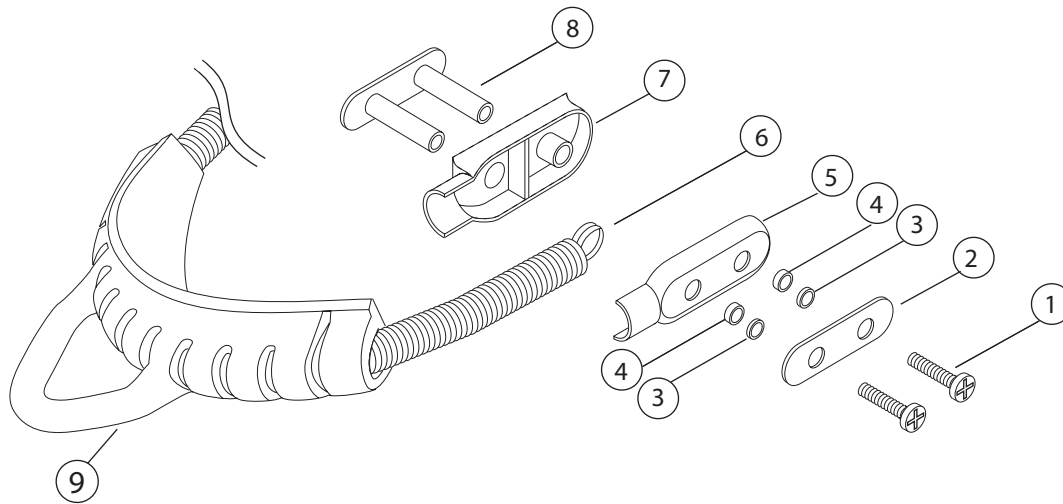


Spring Strap Kit (w/ metal spacer)

C-SERIES

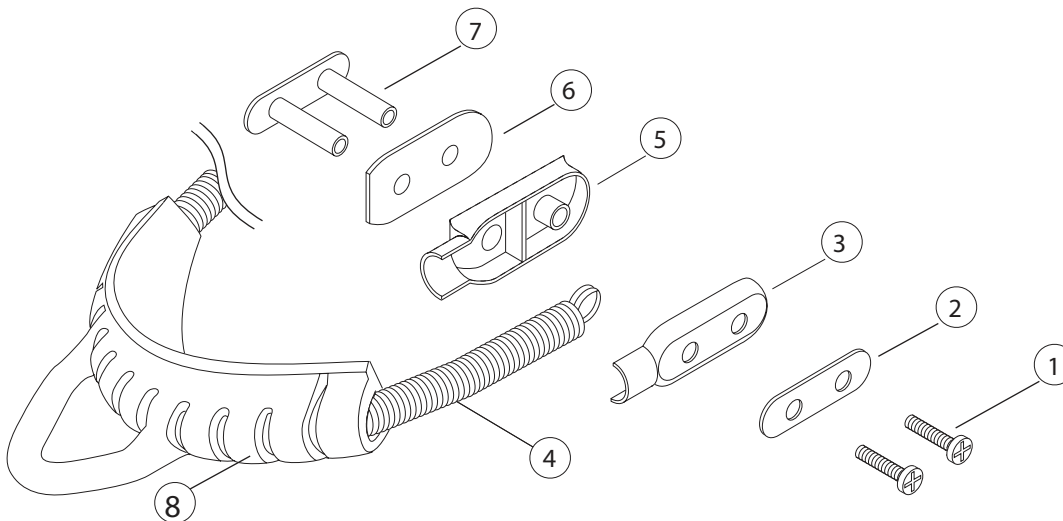


No.	Code	Description	No.	Code	Description
1	3990100118	TORQUES T20 SCREW FOR STRAP HOLDER (PH#2 DISPLAYED)	7	3502090005	SPRING HOLDER POM BASE
2	3521100001	OUTER PLATE FOR HOLDER	8	2502080412	MOUNT FOR STRAP HOLDER 23MM
3	3520100003	SPACER A 1.0T SUS	9	3502080301	HEEL PROTECTOR (BK) (USA use code 3502080031)
4	3520100004	SPACER A 2.0T SUS		3503273001	HEEL PROTECTOR (L.GY) (USA use code 3503270000)
5	3502090002	SPRING HOLDER POM TOP	<div style="border: 1px solid black; padding: 5px;"> <p>IMPORTANT Always check screw head before attempting installation or removal. Phillips head screw was replaced by Torque style in late 2009.</p> <p>X = Phillips #2 Screw Head ✖ = Torques #20 Screw Head</p> </div>		
6	2500100006	STAINLESS STRAP 225MM WITH CORD			
	2500100001	STAINLESS STRAP 250MM (10INCH) WITH CORD			
	2500100003	STAINLESS STRAP 275MM (11INCH) WITH CORD			
	2500100002	STAINLESS STRAP 300MM (12INCH) WITH CORD			
	2500100004	STAINLESS STRAP 325MM (13INCH) WITH CORD			

Tech Tip (all c-series straps): Stainless steel is less prone to rust and staining but is not rust proof. For maximum life and cosmetic appeal rinse with fresh water after each use. We strongly recommend occasional removal of screws for a more thorough rinsing of all metal parts.

Spring Strap Kit (w/ pvc spacer)

C-SERIES



No.	Code	Description	No.	Code	Description
1	3990100118	TORQUES T20 SCREW FOR STRAP HOLDER (PH#2 DISPLAYED)	5	3502090005	SPRING HOLDER POM BASE
2	3521100001	OUTER PLATE FOR HOLDER	6	3523900002	SPACER BASE FOR STRAP HOLDER 1.5MM/PVC
3	3502090002	SPRING HOLDER POM TOP	7	2502080412	MOUNT FOR STRAP HOLDER 23MM
4	2500100006	STAINLESS STRAP 225MM WITH CORD	8	3502080301	HEEL PROTECTOR (BK)
	2500100001	STAINLESS STRAP 250MM (10INCH) WITH CORD		3503273001	HEEL PROTECTOR (L.GY)
	2500100003	STAINLESS STRAP 275MM (11INCH) WITH CORD			
	2500100002	STAINLESS STRAP 300MM (12INCH) WITH CORD			
	2500100004	STAINLESS STRAP 325MM (13INCH) WITH CORD			