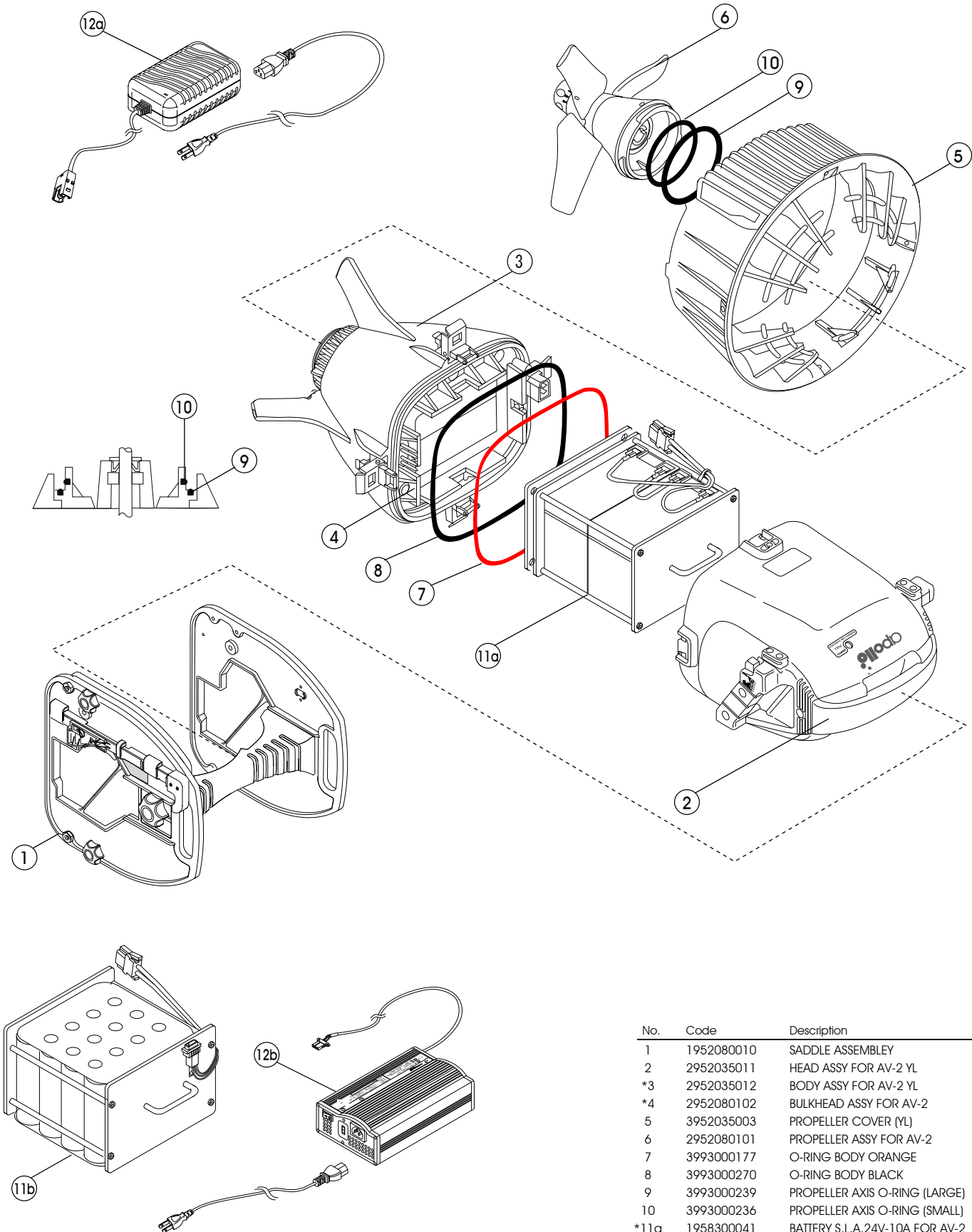


# av-2 (200001 - 200568)



No.	Code	Description
1	1952080010	SADDLE ASSEMBLY
2	2952035011	HEAD ASSY FOR AV-2 YL
*3	2952035012	BODY ASSY FOR AV-2 YL
*4	2952080102	BULKHEAD ASSY FOR AV-2
5	3952035003	PROPELLER COVER (YL)
6	2952080101	PROPELLER ASSY FOR AV-2
7	3993000177	O-RING BODY ORANGE
8	3993000270	O-RING BODY BLACK
9	3993000239	PROPELLER AXIS O-RING (LARGE)
10	3993000236	PROPELLER AXIS O-RING (SMALL)
*11a	1958300041	BATTERY S.L.A.24V-10A FOR AV-2
*11b	1958300001	BATTERY NI-MH 24V-20A FOR AV-2
*12a	1958300013	CHARGER FOR AV-2 S.L.A.BATTERY 24V/1.8A
*12b	1958300002	CHARGER FOR AV-2 NI-MH.BATTERY 24V/20A

2014.08.04

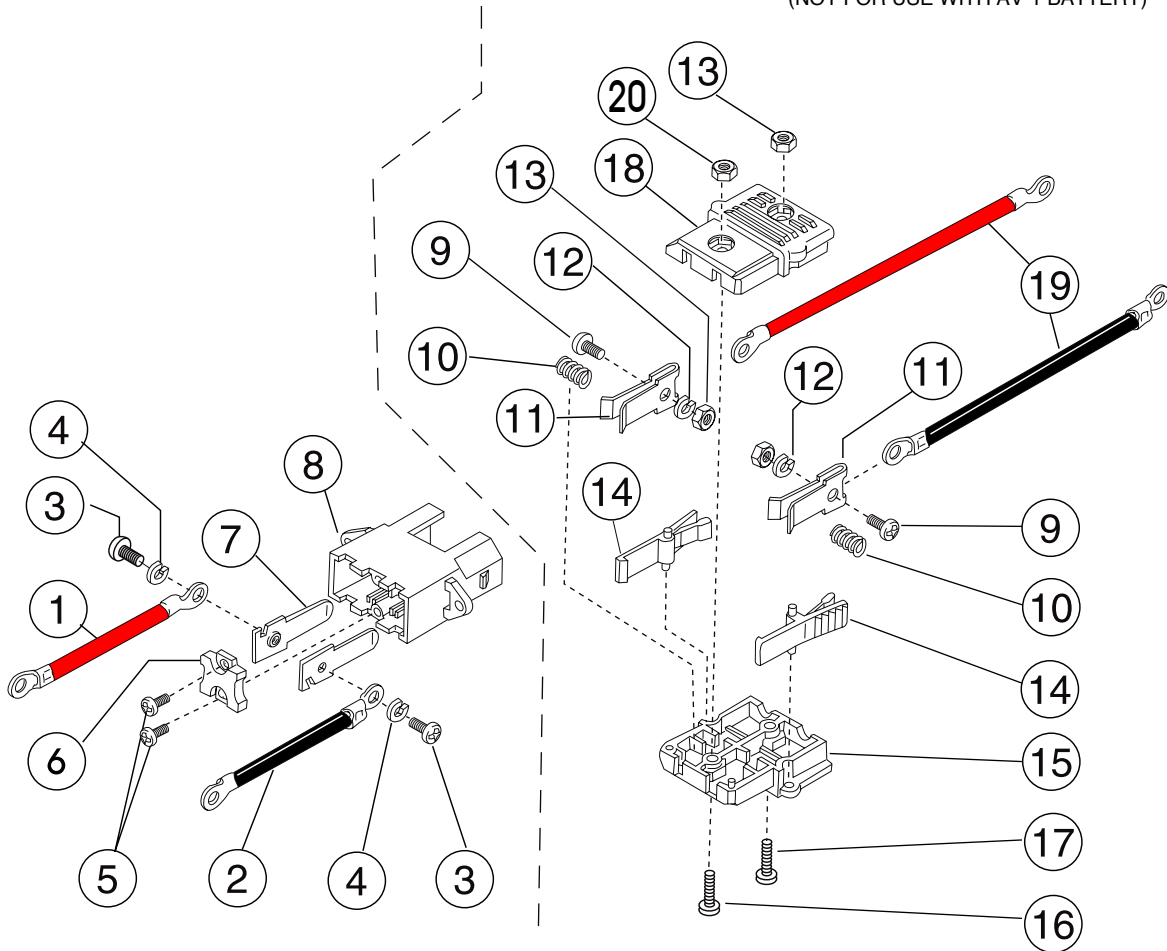
Apollo USA 2017.03.30

\* OUT OF PRODUCTION

# av-2 / av-2E / av-2C Battery plug & socket Assy

1-8 PLUG ASSY FOR AV-2 B/H  
(NOT FOR USE WITH AV-1)

9-20 SOCKET ASSY FOR APOLLO  
AV-2 BATTERY SLA 24V/12A  
(NOT FOR USE WITH AV-1 BATTERY)



No.	Code	Description
1~8	2958000023	BATTERY PLUG ASSY FOR AV-2 BULKHEAD

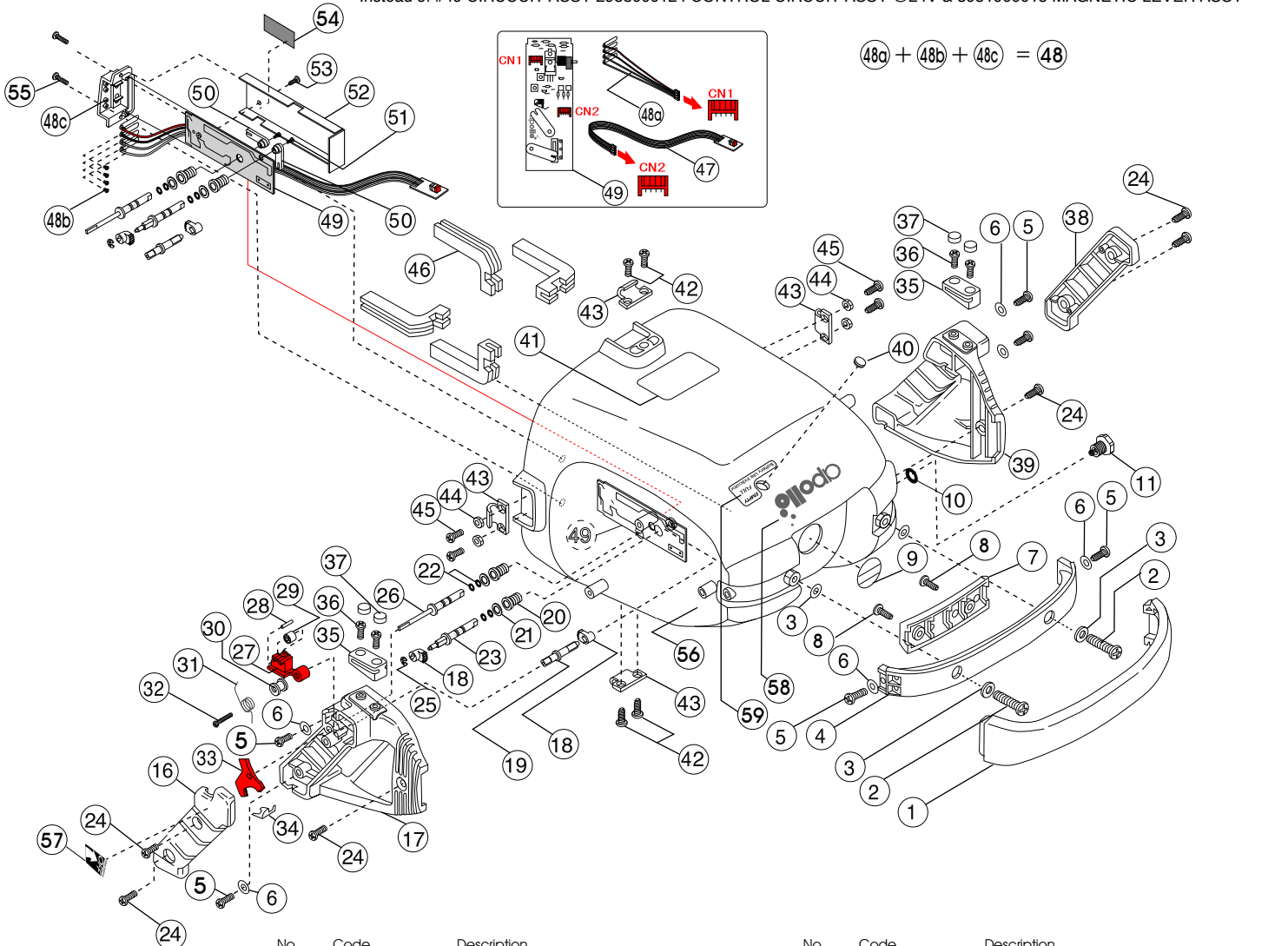
No.	Code	Description
9~20	2958000029	AV-2 BATTERY SOCKET ASSY FOR 13A SLA

NOT PICTUREDED  
2958000020 AV-2 SOCKET ASSY FOR 10A SLA

**IMPORTANT**  
APOLLO USA AV2 DPV #200001 - 200568  
MOTOR NOT COMPATIBLE WITH LI-ION BATTERY  
SEE BODY ASSY FOR MORE INFO

# av-2 / av-2 Evolution Head Assy

Instead of #49 CIRCUIT ASSY 2958000124 CONTROL CIRCUIT ASSY @24V & 3951900015 MAGNETIC LEVER ASSY



No.	Code	Description
	2952035011	HEAD ASSY FOR AV-2 YL
1	3953080000	BUMPER
2	3990100507	O130-65 SCREW (SUS304 M5X30)
3	3990100012	WASHER M5 SUS FOR SADDLE
4	3952080032	CARRYING HANDLE
5	3990100504	SCREW M4X16X7 TP
6	3990100011	WASHER M4 SUS304 4.3X8
7	3952080033	CARRYING HANDLE COVER
8	3990100030	SCREW SUS304 M4X12
9	3952280008	NUMBER SEAL
10	3993390508	O-RING S-8/HS50
11	2959900010	RELIEF VALVE ASSY FOR AV-2/AVX
16	3952080025	COVER GRIP RIGHT (ABS)
17	3952080103	GRIP RIGHT (ABS) FOR AV-2
18	3952080107	TRIGGER GEAR (POM)
19	3950100007	AXIS FOR ACCELERATOR (C3601 NI-CR)
20	3950100005	COLLAR FOR SWITCH AXIS (C3601B NI-CR)
21	3952400000	TEFLON WASHER
22	3993090003	O-RING NBR (P-3/HS50)
23	3950100006	SPEED CONTROL AXIS (C3601B NI-CR)
24	3990100091	SCREW M4X16X7 TP FOR AV-2
25	3990100095	E-RING (M3.7 T=1.8)
26	3950100008	MAIN AXIS FOR SWITCH(C3601B NI-CR)
27	3952080105	ACCELERATOR LEVER FOR AV-2
28	3990100094	PIN FOR AV-2
29	3952080110	ROLLER FOR ACCELERATOR (POM WT)
30	3950004006	SW SPRING SLEEVE
31	3951200032	SWITCH SPRING FOR AV-2

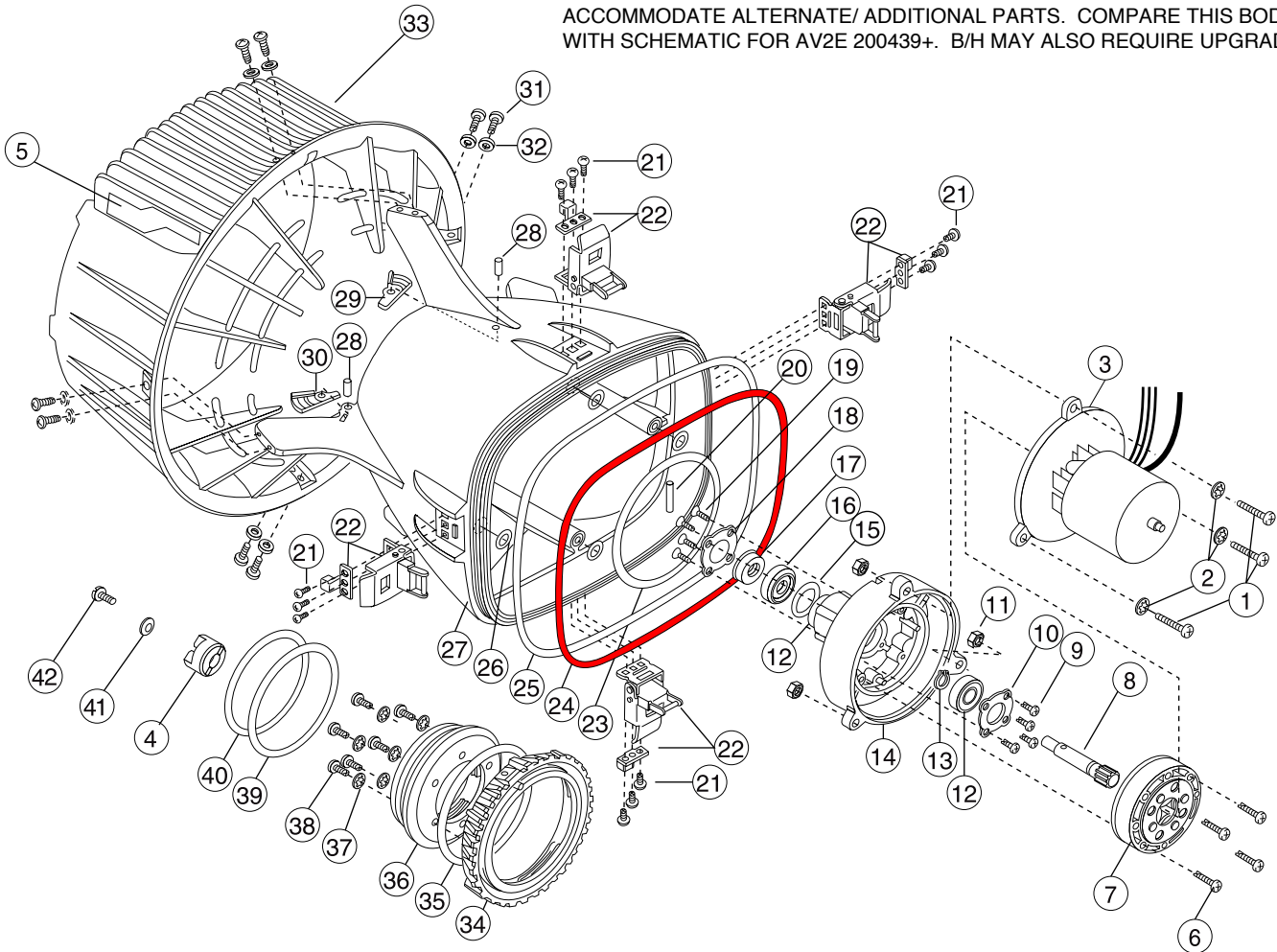
No.	Code	Description
32	3990100087	SCREW (M2.6X14) FOR AV-2
33	3952080106	MAIN SWITCH (POM GF20 RED)
34	3951104014	LOCKING LEVER SPRING
35	3952080030	ACCESSORY SHOE (PBT)
36	3990100501	O130-82 SCREW RETAINER PLT (M3X12 TP)
37	3952080031	SCREW COVER
38	3952080023	COVER GRIP LEFT (ABS)
39	3952080010	GRIP LEFT (ABS)
40	3952400001	INDICATOR WINDOW (ACRYL)
41	3952280022	CAUTION LABEL FOR EMERGENCY FLOAT
42	3990100503	TRUSS SCREW (SUS 304 M3.5X8)
43	3951100103	CLAMP HOOK
44	3990100605	CORRUGATED SPACER
45	3990100601	SCREW SUS304 M3.5X10
46	3953080001	BATTERY HOLDER (AVD063)
47	3958000038	INDICATOR ASSY (LED CIRCUIT)
48	2958000039	CONNECTING WIRE ASSY FOR AV-2 CIRCUIT
48a	3958000039	CONNECTING WIRE
48b	3990100204	SCREW M2X4 SUS304 FOR AV-2
48c	3952080104	CIRCUIT HOLDER (ABS)
49*	2958000024	CIRCUIT ASSY
50	3952080108	SWITCH ARM (POM)
51	3990100088	SCREW M3X6 SUS304 FOR AV-2
52	3951100201	WATERPROOF & RADIATION COVER (AL)
53	3990100089	SCREW M3X6 SUS304 FOR AV-2E (AL)
54	3954600002	BATTERY SWITCH LABEL
55	3990100602	TAPPING SCREW M3.5X12SUS
56	3952035011	FRONT COVER (YL) FOR AV-2(ABS WITH HOLE)
57	3954600007	MAIN SWITCH LABEL FOR AV-2
58	3952280006	STICKER
59	3954600005	BATTERY VOLUME LABEL FOR AV-2

# av-2 Body Assy

## IMPORTANT

AV2 MOTOR #2950900001 NOT COMPATIBLE LI-ION BATTERY

AV2 EVOLUTION MOTOR #2950900002 IS COMPATIBLE WITH ORIGINAL AV2. MUST UPGRADE FROM PBT TO ALUMINUM GEAR CASE AS WELL AS RECONFIGURE TO ACCOMMODATE ALTERNATE/ ADDITIONAL PARTS. COMPARE THIS BODY ASSY WITH SCHEMATIC FOR AV2E 200439+. B/H MAY ALSO REQUIRE UPGRADES.



No.	Code	Description	No.	Code	Description
	2952035013	BODY ASSY FOR AV-2E	22	3951100101	CLAMP BODY
1	3990100505	SCREW BODY ASSY(SUS304 M4X22)		3951100102	CLAMP LOCK
2	3990100021	WASHER SUS304 M4	23	3993000152	O-RING FOR GEAR CASE HOUSING
3*	2950900001	MOTOR ASSY FOR AV-2 (187-252W)	24	3993000177	O-RING BODY ORANGE
4	3950100004	JOINT FOR PROPELLER SHAFT (C3604NI)	25	3993000270	O-RING BODY BLACK
5	3954600021	PROPELLER COVER LEVEL	26	3993080009	O-RING AS568-010
6	3990100506	SCREW (M4X30X7 TP)	27	3952035002	BODY HOUSING (YL)
7	3995090001	GEAR ASSY FOR MOTOR	28	3990100080	CLAMP LOCK PIN(SUS304 3MX8)
8	3950000005	CLUTCH AXLE MOTOR ASSY	29	3952080006	CLAMP RING L(ABS AVD027)
9	3990100501	O130-82 SCREW RETAINER PLT (M3X12 TP)	30	3952080005	CLAMP RING R(ABS AVD027)
10	3951100001	BEARING RETAINER (SUS304 AVC015)	31	3990100504	SCREW M4X16X7 TP
11	3990100520	O150-54 NUT/HEX M4 MOTOR ASSY	32	3990100011	WASHER M4 SUS304 4.3X8
12	3990200001	BEARING 6000HZ 26OD (NSK)(GRADE 0)	33	3952035003	PROPELLER COVER (YL)
13	3990100022	RETAINING RING C CLIP CLUTCH	34	3952080003	CLAMP RING (PBT G30 AVC119)
14	3952080002	GEAR CASE (PBT G30 AVC119)	35	3993000153	O-RING GEAR CASE OUTER (AS568-235)
15	3993000120	O-RING SEAL(AS568-120 HS-50)	36	3952080012	GEAR CASE RETAINER
16	3953000000	SEAL HOLDER(C3604 AVC013)	37	3990100021	WASHER SUS304 M4
17	3993900001	O513-24 ROTATION SEAL L	38	3990100504	SCREW M4X16X7 TP
18	3951100005	SEAL RETAINER(B)(SUS304AVC-012B)	39	3993000239	PROPELLER AXIS O-RING (LARGE)
19	3990100502	SCREW SUS304 M3X10 TP	40	3993000236	PROPELLER AXIS O-RING (SMALL)
20	3990100250	PIN (SUS301 M3XL25)	41	3990100012	WASHER M5 SUS FOR SADDLE
21	3990100601	SCREW SUS304 M3.5X10	42	3950004008	CLUTCH RETAINER SCREW (SUS304)

2014.08.04

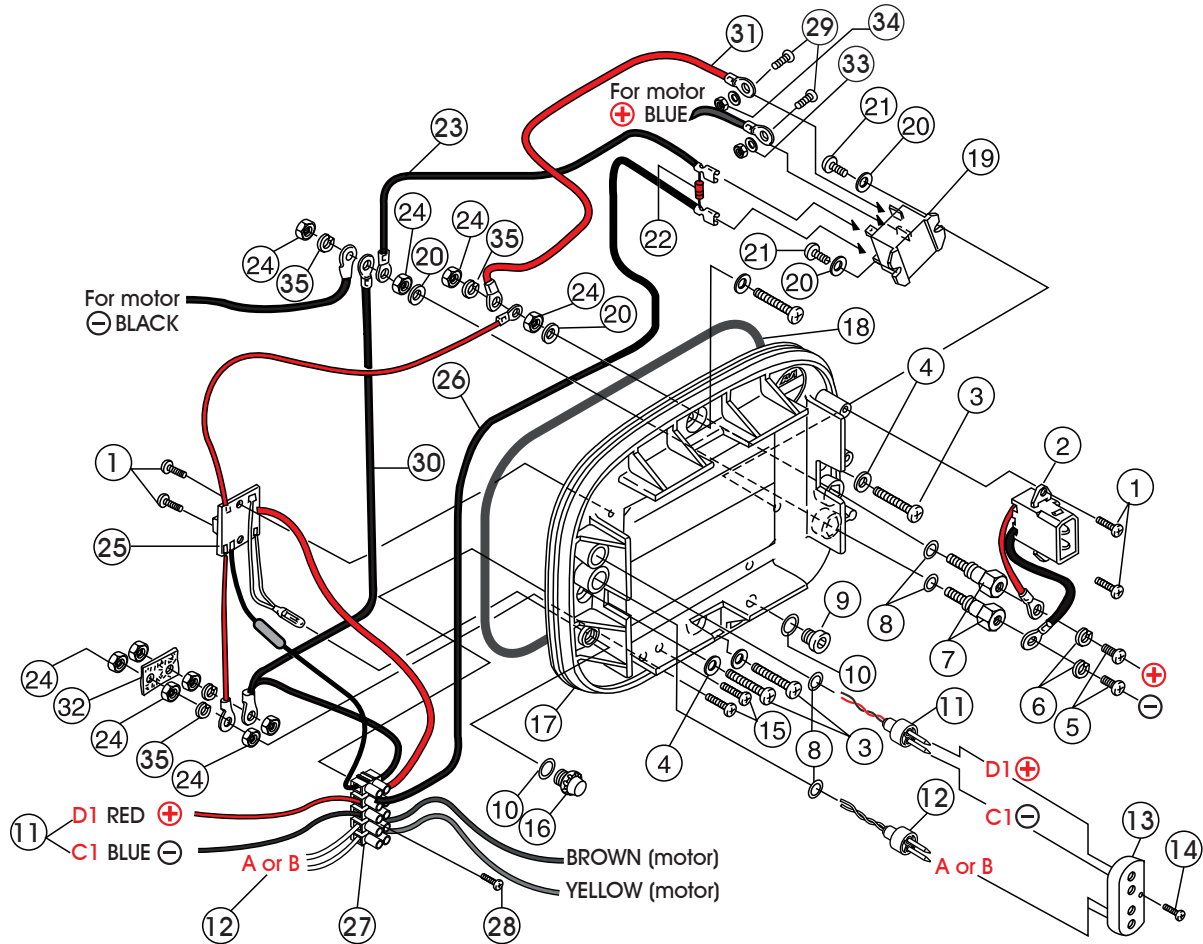
Apollo USA 2017.03.30

\* OUT OF PRODUCTION

# av-2 / av-2 Evolution bulkhead Assy

bulkhead plate #17 3952080102 (sealant used)

o-ring #18 3993000268



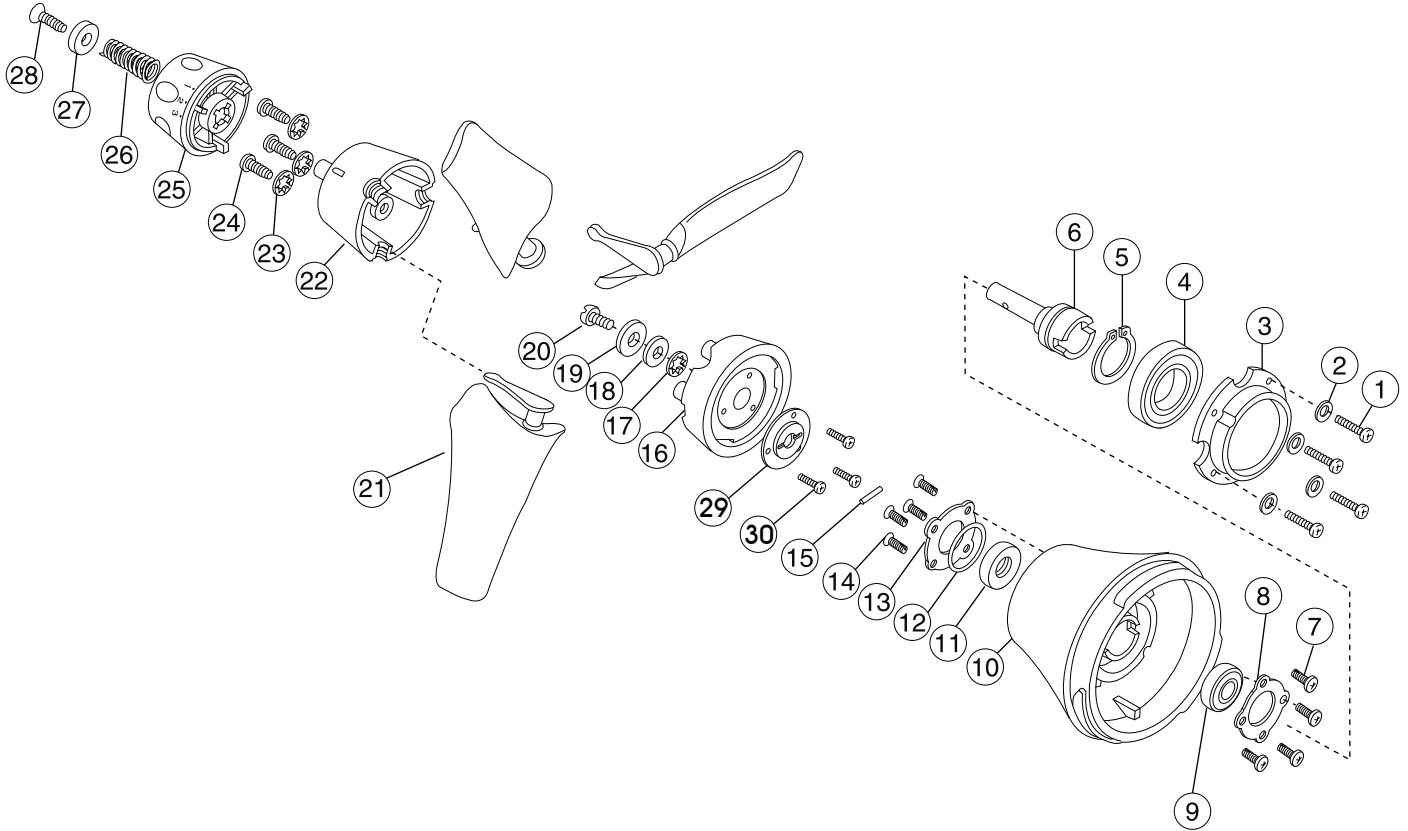
No.	Code	Description
1	3990100100	SCREW (SUS304 M3X10) FOR AV-2 SCOOTER
2	2958000023	AV-2 BATTERY PLUG ASSY
3	3990100507	0130-65 SCREW (SUS304 M5X30)
4	3990100012	WASHER M5 SUS304 5.3X10 FOR AV-2
5	3990100508	0130-78 SCREW SUS304 M4 X 6 X 7
6	3990500012	SPRING WASHER M4 (PBSP M4)
7	3950004005	BATTERY TERMINAL SHAFT(C3604 AVD112)AV-2
8	3993080008	TERMINAL O-RING (AS568-008) FOR AV-2
9	3100101101	PLUG(A) :3/8 FOR L.P
10	3993592011	O-RING ARP-011/HS75 (REGULATOR & B.C)
11	2958000026	CONNECT HOLDER ASSY A (RD & BL)
12	2958000027	CONNECT HOLDER ASSY B (YL & WT)
13	3952080112	CONNECT RETAINER (ABS BK)
14	3990100208	SCREW
15	3990100505	SCREW (SUS304 M4X22) FOR AV-2
16	3952015030	SENSOR LAMP COVER FOR AV-2 SCOOTER (PC RD)
17	3952080102	BULKHEAD PLATE FOR AV-2 (PBTG30)
18	3993000268	O-RING BODY HOUSING FOR AV-2 (AS568-268)

No.	Code	Description
19	3998000009	POWER RELAY PLUG ASSY FOR AV-2 SCOOTER (VF12HU-UL)
20	3990100011	WASHER M4 SUS304 4.3X8 FOR AV-2 SCOOTER
21	3990100030	SCREW SUS304 M4 X 12 FOR AV-2
22	3998000015	DIODE (NEC IS-955) FOR AV-2 SCOOTER
23	2958000003	POWER RELAY TERMINAL ASSY(AWG24 BK L120)
24	3990100510	0150-53 NUT/HEX BS M4P-0.7
*25	2958000022	WATER LEAK SENSOR ASSY FOR AV-2 SCOOTER
26	2958000002	POWER RELAY SOCKET ASSY FOR AV-2 (AWG22 BK L=230)
27	3952085104	TERMINAL BASE (TLB-100W 5P)
28	3990100500	0130-69 SW SCREW (M2.6X15X4.6 TP)
29	3990104061	0130-59 SCREW BS M3 X 6
30	3958000025	WIRE 16-A/D (AWG22)
31	2958000001	TERMINAL POWER RELAY ASSY FOR AV-2 (AWG12 RD L=120)
32	3992280011	NYLON WEB FOR AV-1 WATER LEAK SENSOR
33	3990500011	0120-78 WASHER/SPRING PBSP M3
34	3990104701	0150-52 NUT/HEX BS M3 NICKEL
35	3990500012	SPRING WASHER M4 (PBSP M4)

\*OUT OF PRODUCTION

Apollo USA 2017.03.30

# av-2 / av-2Evolution / av-2Classic / SVX propeller Assy



No.	Code	Description
	2952080101	PROPELLER ASSY FOR AV-2
1	3990100521	0130-73 SCREW (SUS304 TP M3X16TP)
2	3990100010	WASHER M3 SUS304 3.2X6
3	3952080041	BEARING HOUSING
4	3990200003	BEARING SS6005Z SEA 47OD (NSK)(GRADE 0)
5	3990100057	0240-14 C-RING SUS304 STW-25
6	3950000002	PROPELLER SHAFT SUS304 SEA
7	3990100501	0130-82 SCREW RETAINER PLT (M3X12 TP)
8	3951100001	BEARING RETAINER (SUS304 AVC015)
9	3990200002	BEARING SUS304 6000ZZ SEA (GRADE 0)
10	3952080004	CASING PROPELLER SHAFT
11	3993600000	0513-23 SEAL FA FAJ1 10X25X7
12	3993592022	O-RING ARP-022/HS75
13	3951100005	SEAL RETAINER(B)(SUS304AVC-012B)
14	3990100502	SCREW SUS304 M3X10 TP
15	3990100093	PIN (3X16)

No.	Code	Description
16	3952080101	PROPELLER BASE FOR AV-2
17	3990100028	WASHER CORRUGATED SUS304 M5
18	3990100027	BELLEVILLE SPRING
19	3951100009	PROPELLER BASE WASHER M5(SUS304)
20	3950004012	CLUTCH RETAINER SCREW(SUS304 M5X12) AV-2
21	3952080026	PROPELLER BLADE ASSY
22	3952080036	PROPELLER CASING RETAINER
23	3990100021	WASHER SUS304 M4
24	3990100504	SCREW M4X16X7 TP
25	3952080037	PITCH KNOB (PBT)
26	3951200003	SPRING KNOB SUS304
27	3950004009	KNOB SCREW WASHER (C3601BA)
28	3990100512	0130-76 SCREW (SUS304 M5X20X10)
29	3950100003	RETAINER FOR PROPELLER BASE (C3601B)
30	3990100030	SCREW SUS304 M4X12