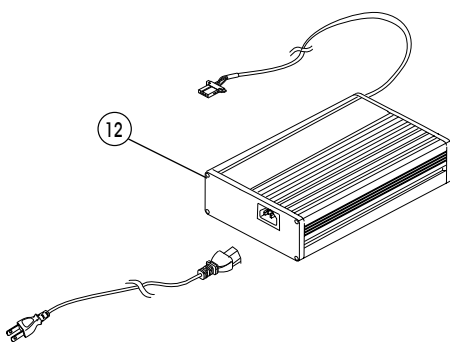
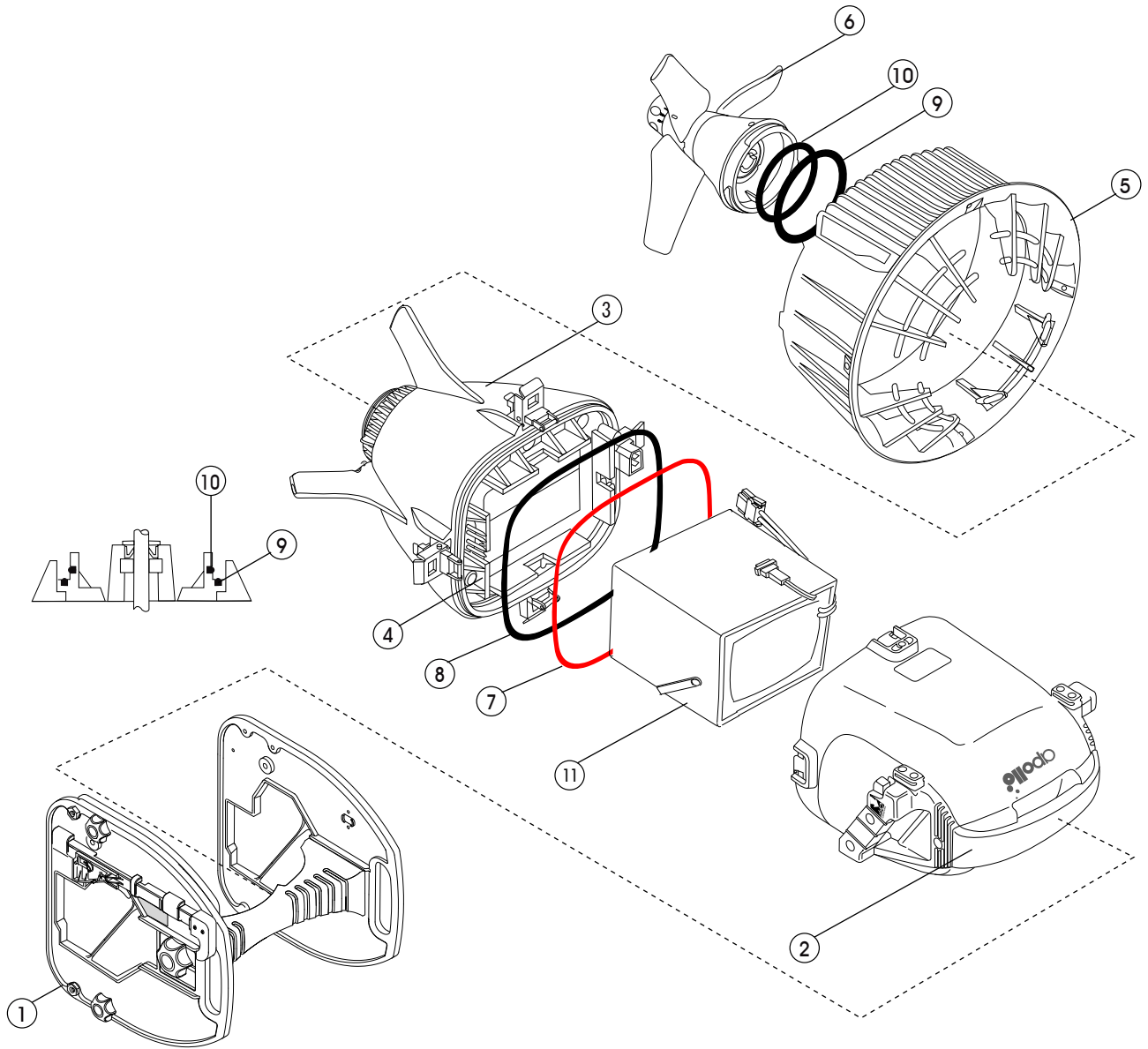
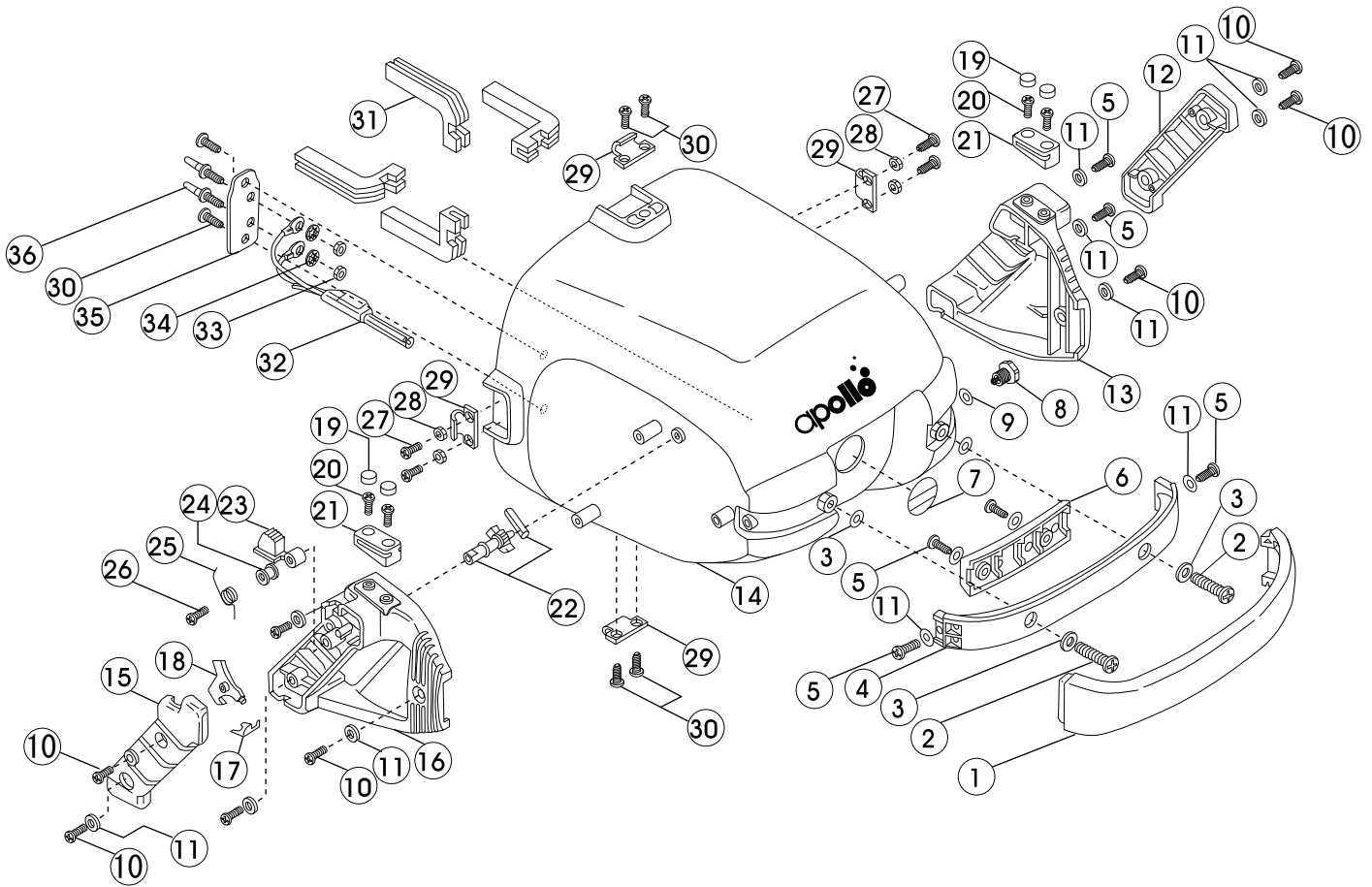


# av-2 Classic



No.	Code	Description
1	1952080010	SADDLE ASSEMBLY
2	2952035051	HEAD ASSY FOR AV-2C YL
3	2952035052	BODY ASSY FOR AV-2C YL
4	2952080352	CENTER BULKHEAD ASSY FOR AV-2C
5	3952035003	PROPELLER COVER (YL)
6	2952080101	PROPELLER ASSY FOR AV-2
7	3993000177	O-RING BODY ORANGE
8	3993000270	O-RING BODY BLACK
9	3993000239	PROPELLER AXIS O-RING (LARGE)
10	3993000236	PROPELLER AXIS O-RING (SMALL)
11	1958100080	LI-ion BATTERY FOR AV-2
12	1958100011	CHARGER FOR AV-2 LI-ion BATTERY

# av-2 Classic Head Assy



No.	Code	Description
	*2952035051	HEAD ASSY FOR AV-2C YL
1	3953080000	BUMPER
2	3990100507	0130-65 SCREW (SUS304 M5X30)
3	3990100012	WASHER M5 SUS FOR SADDLE
4	3952080032	CARRYING HANDLE
5	3990100504	SCREW M4X16X7 TP
6	3952080033	CARRYING HANDLE COVER
7	3952280008	NUMBER SEAL
8	2959900010	RELIEF VALVE ASSY FOR AV-2/AVX
9	3993592011	O-RING ARP-011/HS75
10	3990100091	SCREW M4X16X7 TP FOR AV-2
11	3990100011	WASHER M4 SUS304 4.3X8
12	3952080023	COVER GRIP LEFT (ABS)
13	3952080010	GRIP LEFT (ABS)
14	3952035001	FRONT COVER (YL) FOR AV-1&AV-2C
15	3952080025	COVER GRIP RIGHT (ABS)
16	3952080024	GRIP RIGHT (ABS) FOR AV-1&AV-2C
17	3951104014	LOCKING LEVER SPRING
18	3952045000	LOCKING LEVER FOR AV-1&AV-2C

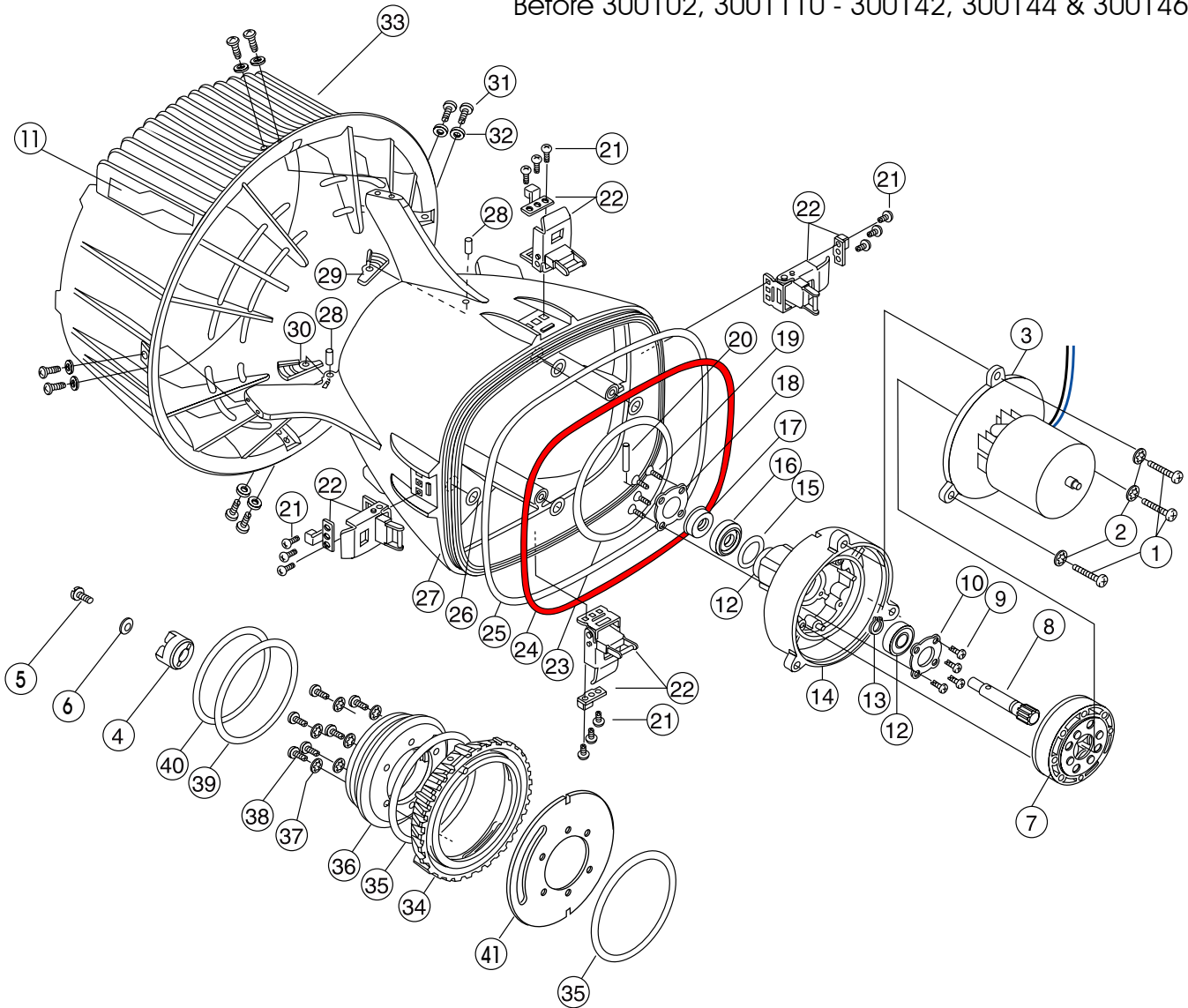
No.	Code	Description
19	3952080031	SCREW COVER
20	3990100501	0130-82 SCREW RETAINER PLT (M3X12 TP)
21	3952080030	ACCESSORY SHOE (PBT)
22	*3951900001	MAGNET SWITCH ASSY FOR AV-1&AV-2C
23	*3952035000	SWITCH BUTTON FOR AV-1&AV-2C
24	*3950004006	SW SPRING SLEEVE
25	3951200000	SWITCH SPRING FOR AV-1&AV2C
26	3990100500	0130-69 SW SCREW (M2.6X15X4.6 TP)
27	3990100601	SCREW SUS304 M3.5X10
28	3990100605	CORRUGATED SPACER
29	3951100103	CLAMP HOOK
30	3990100503	TRUSS SCREW (SUS 304 M3.5X8)
31	3953080001	BATTERY HOLDER (AVD063)
32	*2958000013	REED SWITCH ASSY FOR AV-2C
33	3990100510	0150-53 NUT/HEX BS M4P-0.7
34	3990100021	WASHER SUS304 M4
35	3958025000	SWITCH PLUG BOARD /AV-1&AV-2C
36	3950004001	(AVD123) TERMINAL PIN C3601 FOR AV-1&AV-2C

\* OUT OF PRODUCTION - NOT AVAILABLE

# av-2 Classic Body Assy

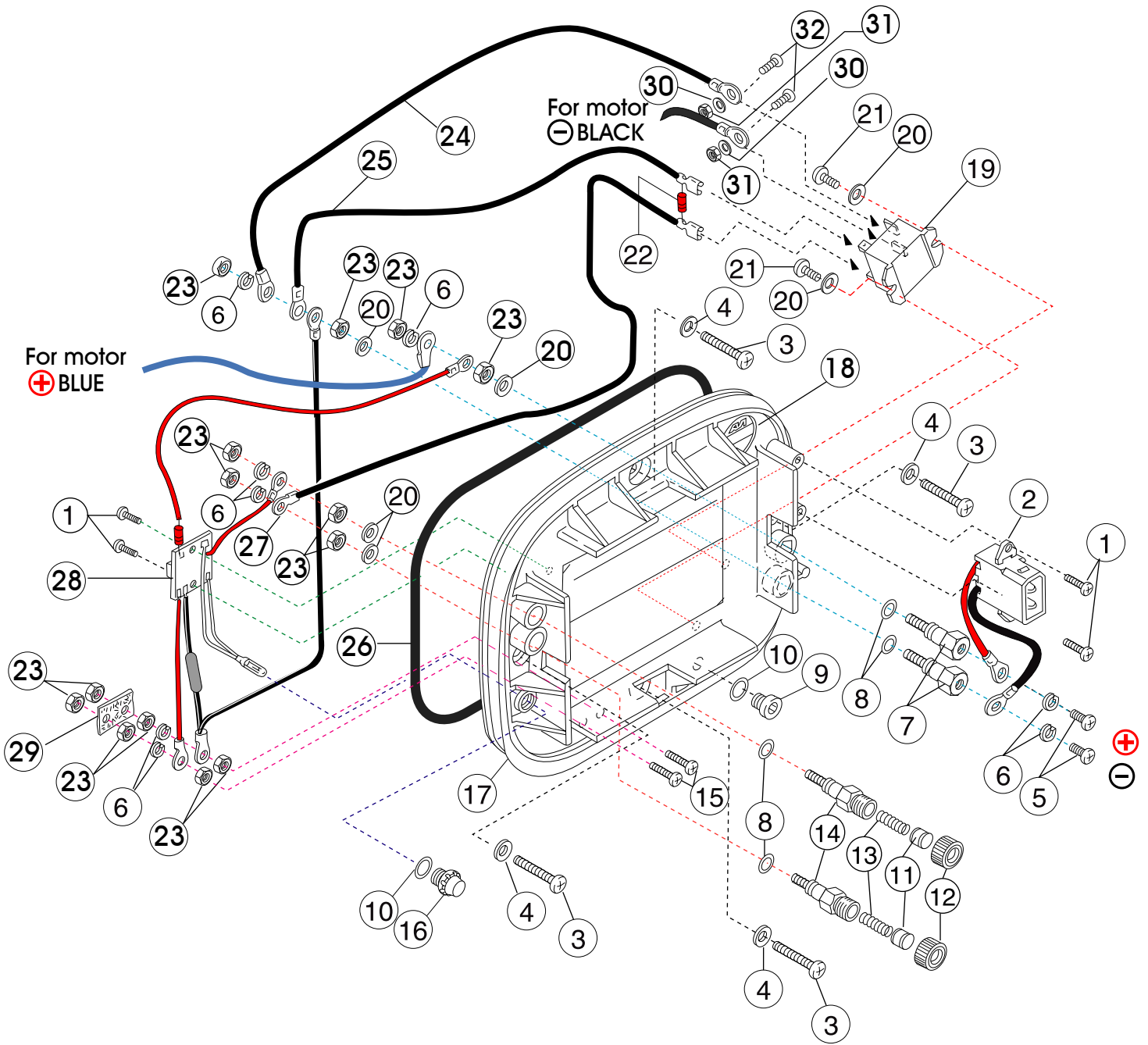
※ Parts #20 3990100093 is used in below serial number  
After 300103 except for 300111 - 300142, 300144 & 300146

※ Parts #20 3990100250 is used in below serial number  
Before 300102, 3001110 - 300142, 300144 & 300146



No.	Code	Description	No.	Code	Description
	2952035052	BODY ASSY FOR AV-2C YL	21	3990100601	SCREW SUS304 M3.5X10
1	3990100068	SCREW BK M4X15 FOR AV-2 MOTOR	22	3951100101/2	2 PC ASSEMBLY CLAMP BODY & CLAMP LOCK (USA NO.)
2	3990100021	WASHER SUS304 M4	23	3993000152	O-RING FOR GEAR CASE HOUSING
3	2950900003	MOTOR ASSY FOR AV-2C (TD5039-243)	24	3993000177	O-RING BODY ORANGE
4	3950100004	JOINT FOR PROPELLER SHAFT (C3604NI)	25	3993000270	O-RING BODY BLACK
5	3950004008	CLUTCH RETAINER SCREW (SUS304)	26	3993080009	O-RING AS568-010
6	3990100012	WASHER M5 SUS FOR SADDLE	27	3952035002	BODY HOUSING (YL)
7	3995090001	GEAR ASSY FOR MOTOR	28	3990100080	CLAMP LOCK PIN(SUS304 3MX8)
8	3950000005	CLUTCH AXLE MOTOR ASSY	29	3952080006	CLAMP RING L(ABS AVD027)
9	3990100067	SCREW RETAINER PLATE BK M3 X 8	30	3952080005	CLAMP RING R(ABS AVD027)
10	3951100001	BEARING RETAINER (SUS304 AVC015)	31	3990100504	SCREW M4X16X7 TP
11	3954600003	PROPELLER COVER LEVEL	32	3990100011	WASHER M4 SUS304 4.3X8
12	3990200001	BEARING 6000HZ 26OD (NSK)(GRADE 0)	33	3952035003	PROPELLER COVER (YL)
13	3990100022	RETAINING RING C CLIP CLUTCH	34	3952080003	CLAMP RING (PBT G30 AVC119)
14	3952080011	GEAR CASE FOR AV-2E (AL DMS5)	35	3993000152	O-RING FOR GEAR CASE HOUSING
15	3993000120	O-RING SEAL(AS568-120 HS-50)	36	3952080012	GEAR CASE RETAINER
16	3953000000	SEAL HOLDER/(C3604 AVC013)	37	3990100021	WASHER SUS304 M4
17	3993900001	0513-24 ROTATION SEAL L	38	3990100069	SCREW SUS M4X14 FOR GEAR CASE RETNR
18	3951100005	SEAL RETAINER(B)(SUS304AVC-012B)	39	3993000239	PROPELLER AXIS O-RING (LARGE)
19	3990100066	SCREW SUS M3X8	40	3993000236	PROPELLER AXIS O-RING (SMALL)
20	3990100093	PIN (3X16)	41	3952080300	RADIATION PLATE
	3990100250	PIN (SUS301 M3XL25)			

# av-2 Classic Bulkhead Assy



No.	Code	Description
	2952080352	CENTER BULKHEAD ASSY FOR AV-2C
1	3990100100	SCREW (SUS304 M3X10)
2	2958000023	BATTERY PLUG ASSY FOR AV-2 BULKHEAD
3	3990100507	O130-65 SCREW (SUS304 M5X30)
4	3990100012	WASHER M5 SUS FOR SADDLE
5	3990100508	O130-78 SCREW (SUS304 M4X6X7)
6	3990500012	O120-77 WASHER/SPRING PBSP M4
7	3950004005	BATTERY TERMINAL SHAFT(C3604 AVD112)
8	3993080008	TERMINAL O-RING (AS568-008)
9	3100101101	PLUG (A) : 3/8 FOR L.P.
10	3993592011	O-RING ARP-011/HS75
11	3950004003	SOCKET SLEEVE (C3604 AVD116) FOR AV-1&AV-2C
12	3950004004	SOCKET CAP C3604(AVD117)FOR AV-1&AV-2C
13	3951200001	SOCKET SPRING (SUS304 AVD115) FOR AV-1&AV-2C
14	3950004002	SHAFT TH'DD TERMINAL FOR AV-1
15	3990100505	SCREW BODY ASSY(SUS304 M4X22)
16	3952015030	SENSOR LAMP COVER

No.	Code	Description
17	3952080009	BULKHEAD PLATE FOR AV-1&AV-2C
18	3952280008	NUMBER SEAL
19	3958000042	POWER RELAY ASSY FOR AV-2C (G4F-11123T 24V.DC)
20	3990100011	WASHER M4 SUS304 4.3X8
21	3990100030	SCREW SUS304 M4X12
22	3998000150	DIODE (1N4007)
23	3990100510	O150-53 NUT/HEX BS M4P-0.7
24	2958080001	TERMINAL POWER RELAY WIRE FOR AV-2E & C
25	2958000003	POWER RELAY TERMINAL ASSY (AWG24 BK L120)
26	3993000268	O-RING BODY HOUSING
27	2958000002	POWER RELAY SOCKET ASSY
28	2958000041	WATER LEAK SENSOR ASSY FOR AV-2C
29	3992280011	NYLON WEB FOR WATER LEAK SENSOR
30	3990500011	4120-78 WASHER/SPRING PBSP M3
31	3990104701	O150-52 NUT/HEX BS M3 NICKEL
32	3990104061	O130-59 SCREW BS (M3X6)

# av-2 / av-2E / av-2C Battery plug & socket Assy

## av-2 BATTERY PLUG ASSY

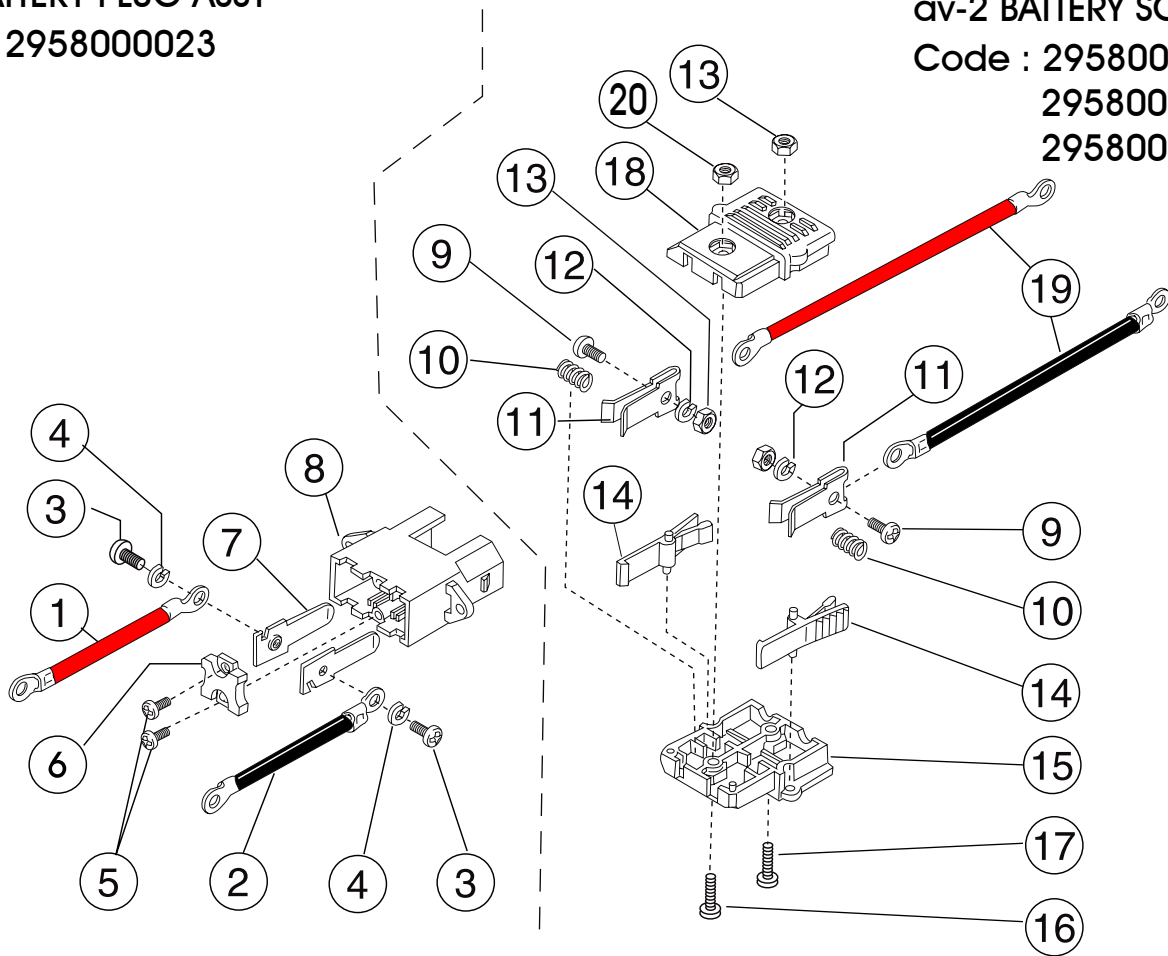
Code : 2958000023

## av-2 BATTERY SOCKET ASSY

Code : 2958000020 10A

2958000029 13A

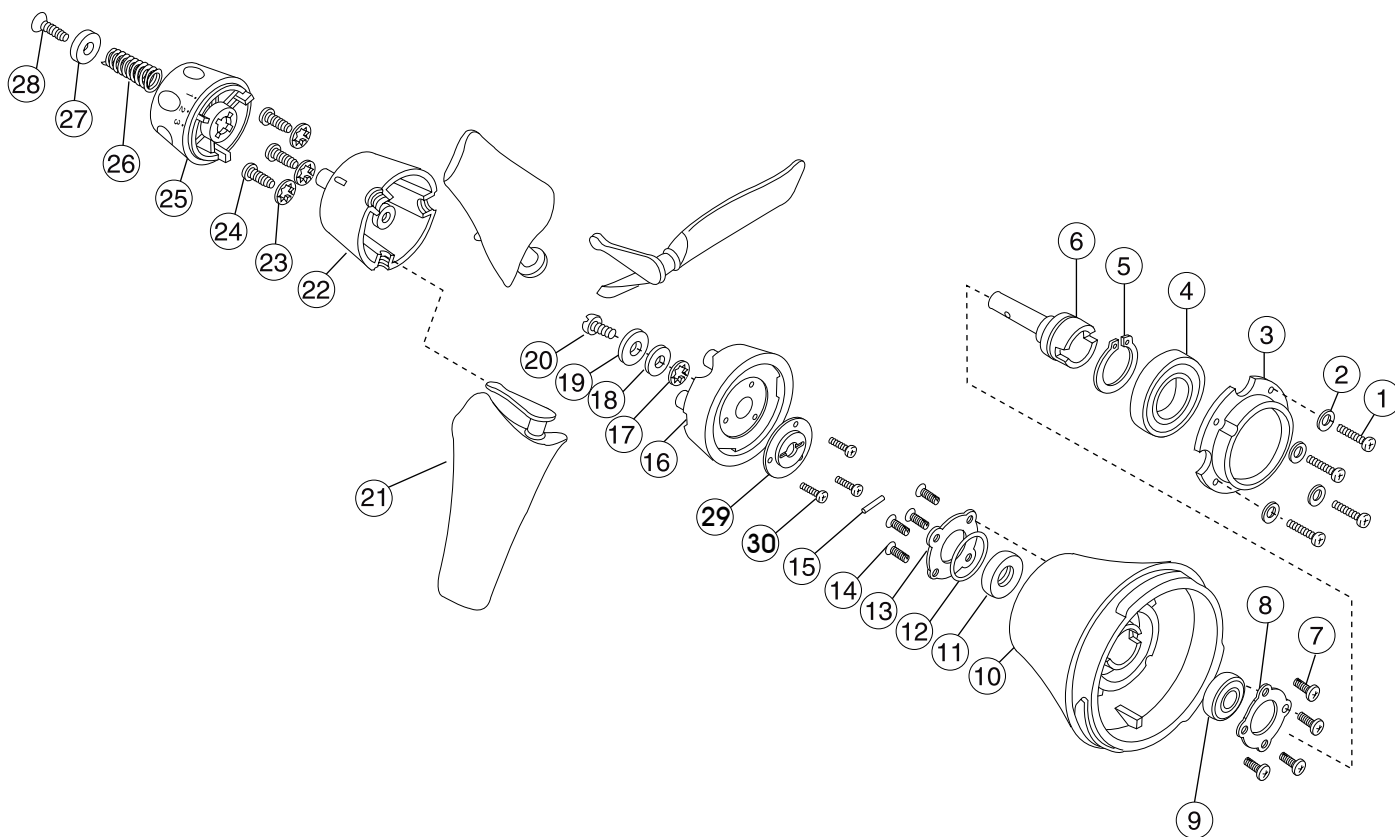
2958000035 NiMH



No.	Code	Description
1-8	2958000023	BATTERY PLUG ASSY FOR AV-2 BULKHEAD

No.	Code	Description
9-20	2958000020	AV-2 BATTERY SOCKET ASSY FOR 10A SLA

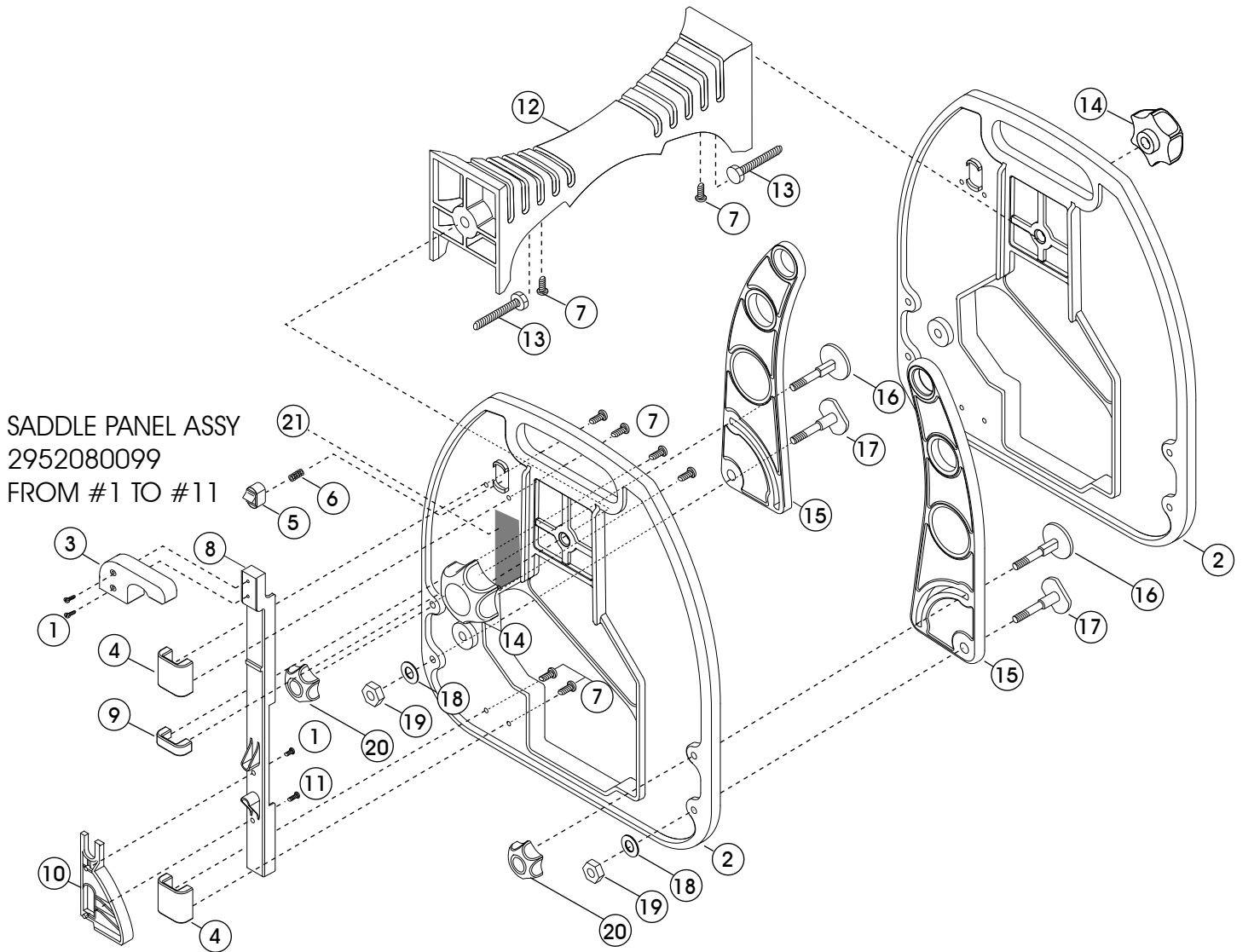
# av-2 / av-2Evolution / av-2Classic / SVX propeller Assy



No.	Code	Description
	2952080101	PROPELLER ASSY FOR AV-2
1	3990100521	0130-73 SCREW (SUS304 TP M3X16TP)
2	3990100010	WASHER M3 SUS304 3.2X6
3	3952080041	BEARING HOUSING
4	3990200003	BEARING SS6005Z SEA 47OD (NSK)(GRADE 0)
5	3990100057	0240-14 C-RING SUS304 STW-25
6	3950000002	PROPELLER SHAFT SUS304 SEA
7	3990100501	0130-82 SCREW RETAINER PLT (M3X12 TP)
8	3951100001	BEARING RETAINER (SUS304 AVC015)
9	3990200002	BEARING SUS304 6000ZZ SEA (GRADE 0)
10	3952080004	CASING PROPELLER SHAFT
11	3993600000	0513-23 SEAL FA FAJ1 10X25X7
12	3993592022	O-RING ARP-022/HS75
13	3951100005	SEAL RETAINER(B)(SUS304AVC-012B)
14	3990100502	SCREW SUS304 M3X10 TP
15	3990100093	PIN (3X16)

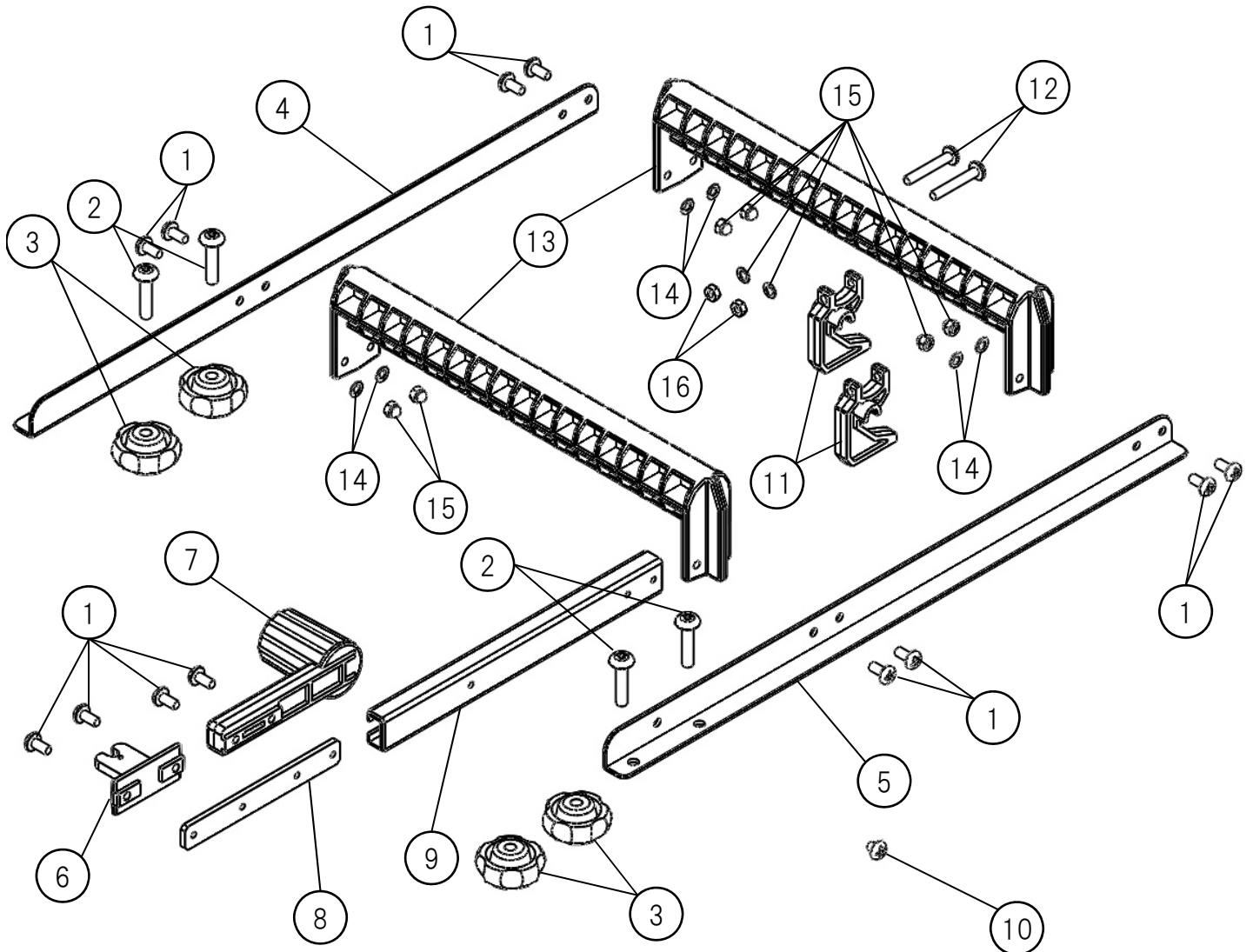
No.	Code	Description
16	3952080101	PROPELLER BASE FOR AV-2
17	3990100028	WASHER CORRUGATED SUS304 M5
18	3990100027	BELLEVILLE SPRING
19	3951100009	PROPELLER BASE WASHER M5(SUS304)
20	3950004012	CLUTCH RETAINER SCREW(SUS304 M5X12) AV-2
21	3952080026	PROPELLER BLADE ASSY
22	3952080036	PROPELLER CASING RETAINER
23	3990100021	WASHER SUS304 M4
24	3990100504	SCREW M4X16X7 TP
25	3952080037	PITCH KNOB (PBT)
26	3951200003	SPRING KNOB SUS304
27	3950004009	KNOB SCREW WASHER (C3601BA)
28	3990100512	0130-76 SCREW (SUS304 M5X20X10)
29	3950100003	RETAINER FOR PROPELLER BASE (C3601B)
30	3990100030	SCREW SUS304 M4X12

# Scooter saddle after '05



No.	Code	Description	No.	Code	Description
1	3990100100	SCREW (SUS304 M3X10)	13	3990100005	BOLT/SADDLE M8X40 SUS
2	3952086021	PANEL FOR AV-2 SADDLE (ABS)	14	3952086006	MOUNT KNOB WITH NUT M8 SUS
3	3952086017	GRIP FOR SADDLE LEVER	15	3952086011	WING ABS
4	3952086005	COVER FOR SADDLE LEVER (ABS)	16	3952086008	WING ADJUST AXIS
5	3952086016	RATCHET (POM)	17	3952086009	WING CENTER AXIS ABS
6	3951200013	RATCHET SPRING	18	3990100012	WASHER M5 SUS FOR SADDLE
7	3990100602	TAPPING SCREW M3.5X12SUS	19	3990100750	U NUT M5 SUS304 FOR SADDLE
8	3952086013	SWITCH BAR (ABS)	20	3952086007	KNOB/ADJUSTAXIS WITH NUT M5
9	3952086015	HOLDER FOR SWITCH LEVER ABS FOR SADDLE	21	3954600006	LABEL FOR SPEED CONTROL
10	3952086018	SWITCH CAM (POM) FOR SADDLE			
11	3990100501	O1.30-82 SCREW RETAINER PLT (M3X12 TP)	1~11	2952080099	SADDLE PANEL ASSEMBLY
12	3952086002	SADDLE ABS			

# SINGLE HAND UNIT av-2



No.	CODE	DESCRIPTION
1	3990100115	SCREW M4X10 FOR STRAP HOLDER
2	3990100416	TRUSS SCREW (M5X25 SUS)
3	3952086007	KNOB/ADJUSTAXIS WITH NUT M5
4	3950500002	MAIN BAR RIGHT 15X20
5	3950500001	MAIN BAR LEFT 15X20
6	3952080203	SWITCH JOINT POM BK
7	3952080113	SWITCH KNOB FOR AVX
8	3950500013	SWITCH JOINT (15X155 AL)
9	3950500015	SLIDER BAR
10	3990100410	TRUSS SCREW (M4X5 SUS)
11	3952080210	CENTER RIB HOOK
12	3990100452	TRUSS SCREW (M4X30 SUS)
13	3952080114	HANDLE BAR FR BK FOR AVX
14	3990100011	WASHER M4 SUS304 4.3X8
15	3990100098	NUT SUS M4
16	3990100520	O150-54 NUT/HEX M4 MOTOR ASSY