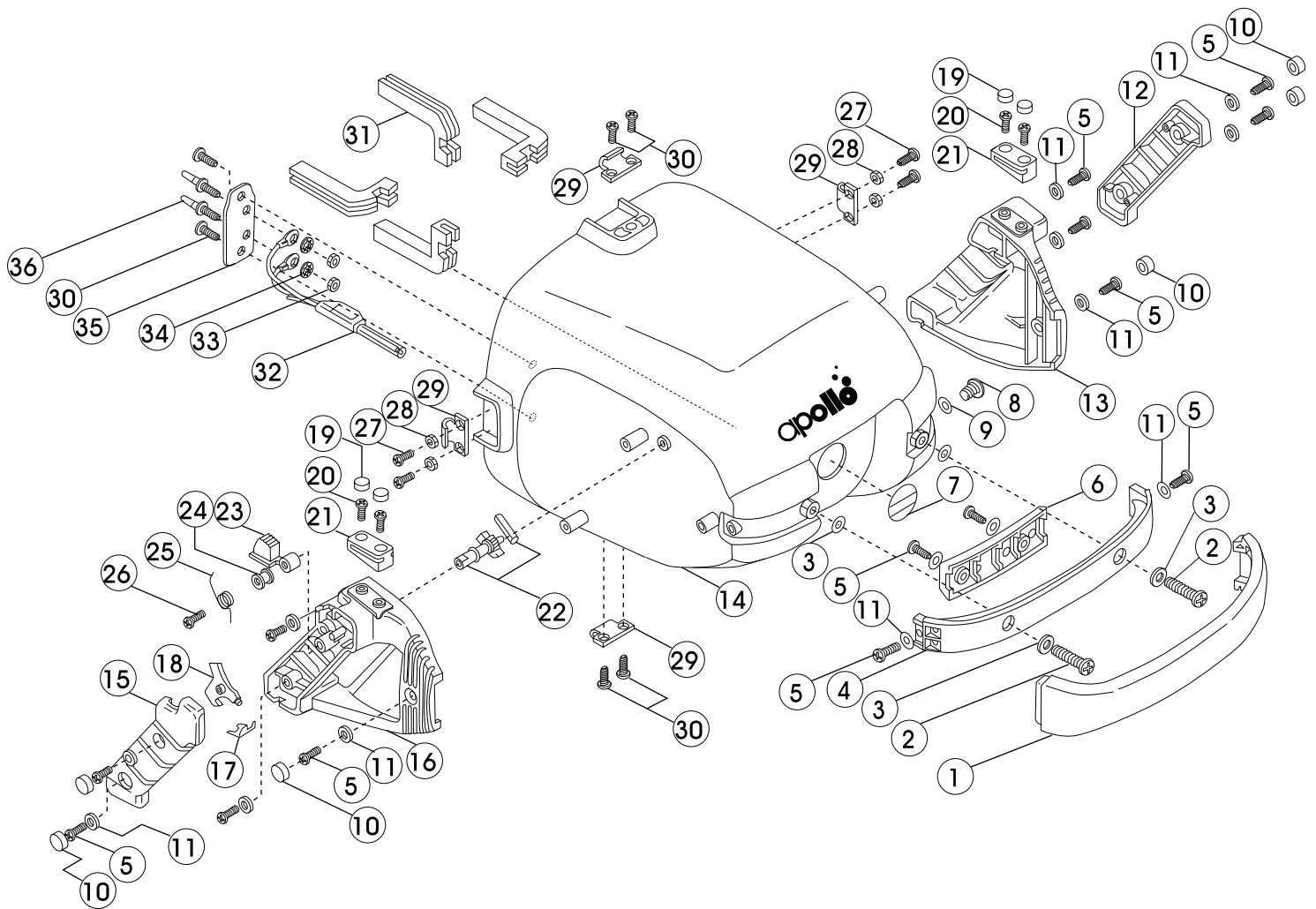


HOUSINGS: BODY AND PROP COVER AVAILABLE IN BLACK.
TOP COVER MAY ALSO BE AVAILABLE IN BLACK.
CALL FOR STATUS.

No.	Code	Description
*1	2952035001	FRONT COVER ASSY (YL) FOR AV-1
*	2952055001	FRONT COVER ASSY (BL) FOR AV-1
*2	2952035002	BODY HOUSING ASSY (YL) FOR AV-1
*	2952055002	BODY HOUSING ASSY (BL) FOR AV-1
*3	2952080002	CENTER BULKHEAD ASSY FOR AV-1
4	2952080009	PROPELLER ASSY FOR AV-1
*5	1958100007	SPARE BATTERY FOR AV-1
6	2958100013	BATTERY CHARGER FOR AV-1 AV-320
7	3993000177	O-RING BODY ORANGE
8	3993000270	O-RING BODY BLACK
9	3993000239	PROPELLER AXIS O-RING (LARGE)
10	3993000236	PROPELLER AXIS O-RING (SMALL)
11	3952035003	PROPELLER COVER (YL)

* OUT OF PRODUCTION

av-1 head assembly



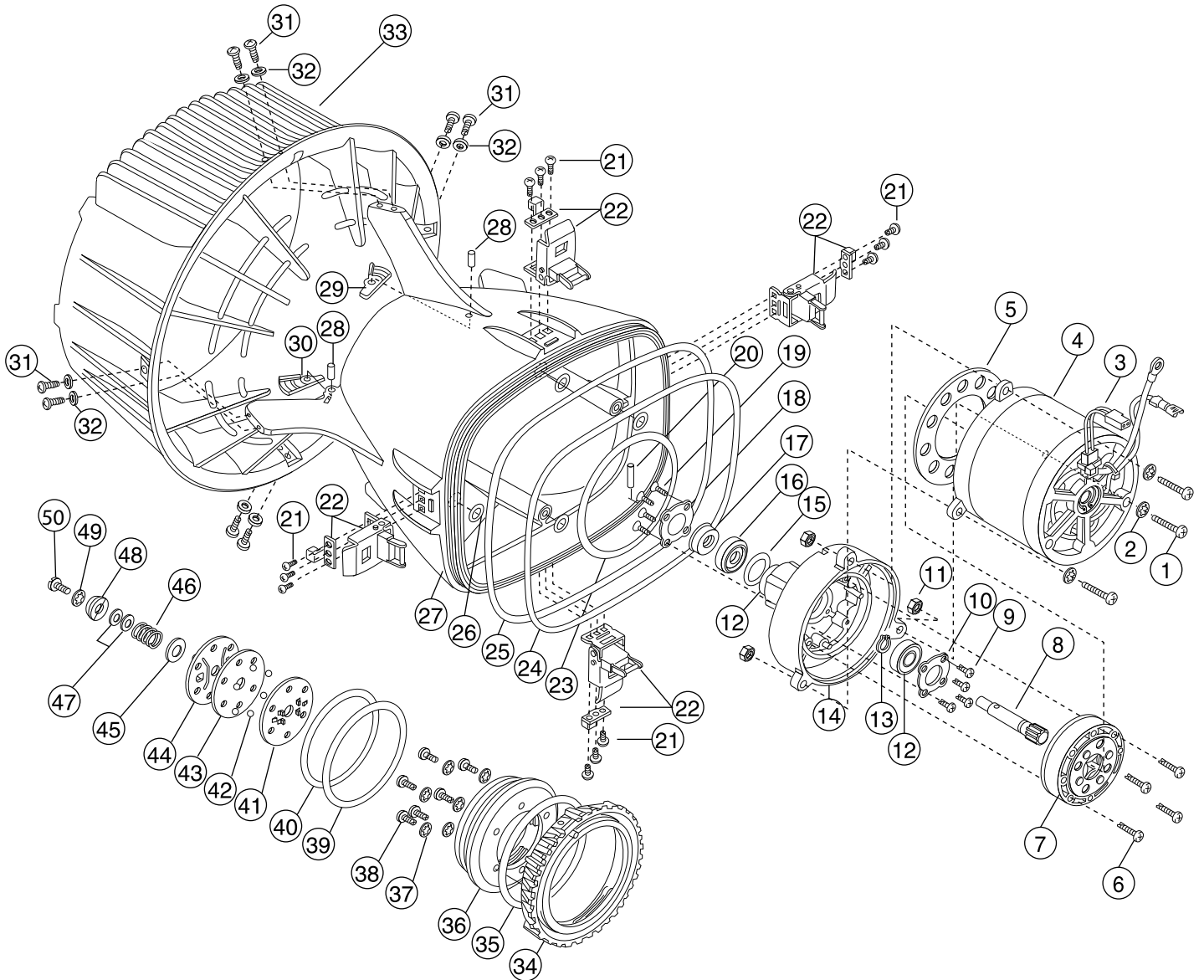
No.	Code	Description
*	2952035001	FRONT COVER ASSY (YL) FOR AV-1
1	3953080000	BUMPER
2	3990100507	0130-65 SCREW (SUS304 M5X30)
3	3990100012	WASHER M5 SUS FOR SADDLE
4	3952080032	CARRYING HANDLE
5	3990100504	SCREW M4X16X7 TP
6	3952080033	CARRYING HANDLE COVER
*7	3952280008	NUMBER SEAL
8	3100101101	PLUG (A) : 3/8 FOR L.P.
9	3993592011	O-RING ARP-011/HS75
10	3952080007	COVER SCREW (ABS) FOR AV-1
11	3990100011	WASHER M4 SUS304 4.3X8
12	3952080023	COVER GRIP LEFT (ABS)
13	3952080010	GRIP LEFT (ABS)
14	3952035001	FRONT COVER (YL) FOR AV-1&AV-2C
15	3952080025	COVER GRIP RIGHT (ABS)
16	3952080024	GRIP RIGHT (ABS) FOR AV-1&AV-2C
17	3951104014	LOCKING LEVER SPRING
18	3952045000	LOCKING LEVER FOR AV-1&AV-2C

* OUT OF PRODUCTION

No.	Code	Description
19	3952080031	SCREW COVER
20	3990100501	0130-82 SCREW RETAINER PLT (M3X12 TP)
21	3952080030	ACCESSORY SHOE (PBT)
22	3951900001	MAGNET SWITCH ASSY FOR AV-1&AV-2C
*23	3952035000	SWITCH BUTTON FOR AV-1&AV-2C
24	3950004006	SW SPRING SLEEVE
*25	3951200000**	SWITCH SPRING FOR AV-1 (SEE NOTE BELOW)
26	3990100500	0130-69 SW SCREW (M2.6X15X4.6 TP)
27	3990100601	SCREW SUS304 M3.5X10
28	3990100605	CORRUGATED SPACER
29	3951100103	CLAMP HOOK
30	3990100503	TRUSS SCREW (SUS 304 M3.5X8)
31	3953080001	BATTERY HOLDER (AVD063)
*32	2958000013	REED SWITCH ASSY FOR AV-2C
33	3990100510	0150-53 NUT/HEX BS M4P-0.7
34	3990100021	WASHER SUS304 M4
35	3958025000	SWITCH PLUG BOARD /AV-1&AV-2C (AVD123)
36	3950004001	TERMINAL PIN C3601 FOR AV-1&AV-2C

**SWITCH SPRING (NO. 25) FOR AV-1 DISCONTINUED. IF SWITCH BUTTON (NO. 23) PURCHASED FROM APOLLO USA AFTER 1/2013 OK TO REPLACE NO. 25 WITH AV-2 SPRING #3951200032.

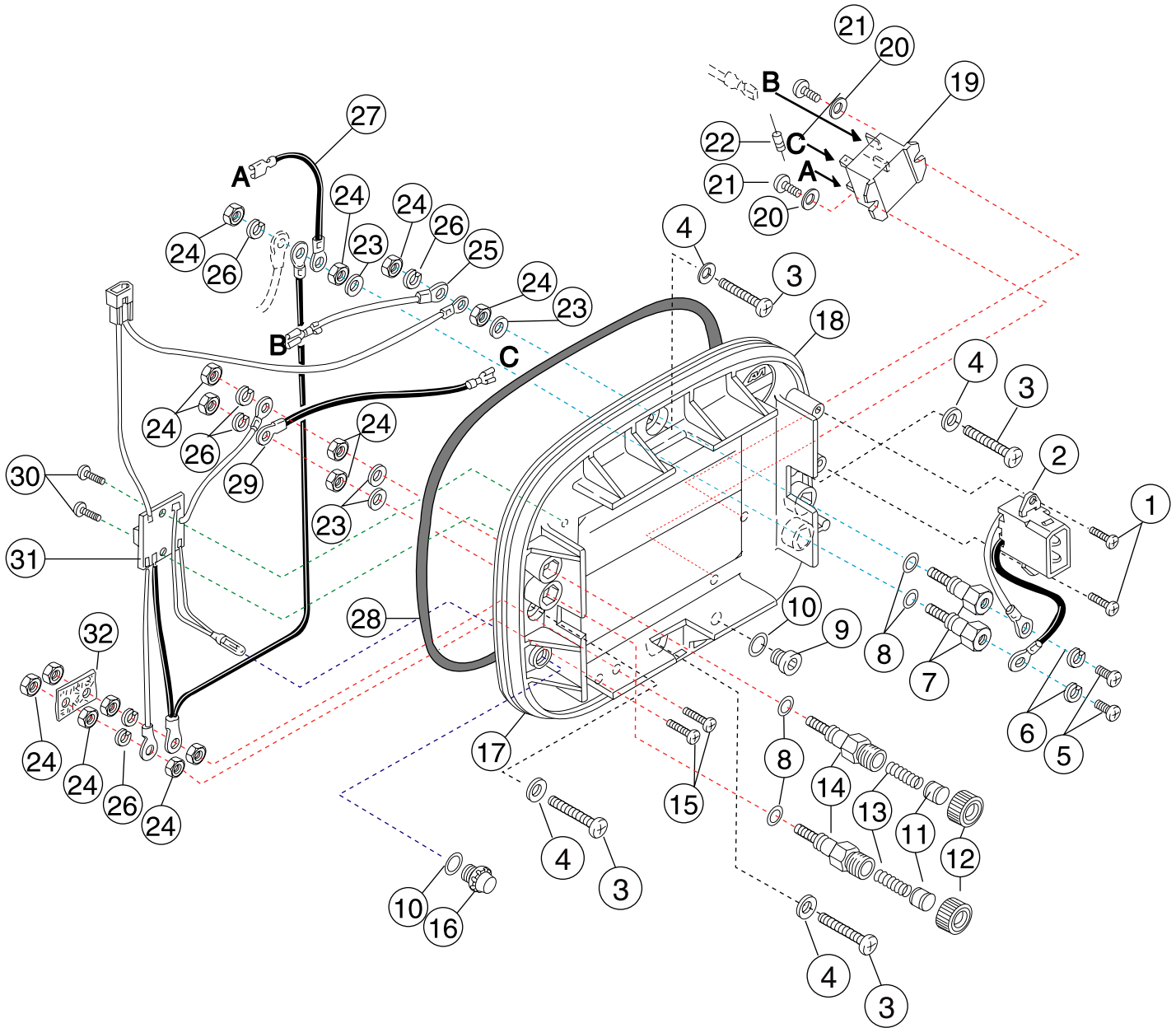
av-1 body assembly



No.	Code	Description	No.	Code	Description
*	2952035002	BODY HOUSING ASSY (YL) FOR AV-1	25	3993000270	O-RING BODY BLACK
1	3990100505	SCREW BODY ASSY(SUS304 M4X22)	26	3993080009	O-RING AS568-010
2	3990100021	WASHER SUS304 M4	27	3952035002	BODY HOUSING (YL)
3	3998000110	THERMAL PROTECTOR ASSY FOR AV-1	28	3990100080	CLAMP LOCK PIN(SUS304 3MX8)
*4	2950900000	MOTOR ASSY FOR AV-1 (12V/180W)	29	3952080006	CLAMP RING L(ABS AVD027)
5	3951108001	GEAR PLATE FOR AV-1	30	3952080005	CLAMP RING R(ABS AVD027)
6	3990100506	SCREW (M4X30X7 TP)	31	3990100504	SCREW M4X16X7 TP
7	3995090001	GEAR ASSY FOR MOTOR	32	3990100011	WASHER M4 SUS304 4.3X8
8	3950000005	CLUTCH AXLE MOTOR ASSY	33	3952035003	PROPELLER COVER (YL)
9	3990100501	0130-82 SCREW RETAINER PLT (M3X12 TP)	34	3952080003	CLAMP RING (PBT G30 AVC119)
10	3951100001	BEARING RETAINER (SUS304 AVC015)	35	3993000153	O-RING GEAR CASE OUTER (AS568-235)
11	3990100520	0150-54 NUT/HEX M4 MOTOR ASSY	36	3952080012	GEAR CASE RETAINER
12	3990200001	BEARING 6000HZ 26OD (NSK)(GRADE 0)	37	3990100021	WASHER SUS304 M4
13	3990100022	RETAINING RING C CLIP CLUTCH	38	3990100504	SCREW M4X16X7 TP
14	3952080002	GEAR CASE (PBT G30 AVC119)	39	3993000239	PROPELLER AXIS O-RING (LARGE)
15	3993000120	O-RING SEAL(AS568-120 HS-50)	40	3993000236	PROPELLER AXIS O-RING (SMALL)
16	3953000000	SEAL HOLDER/(C3604 AVC013)	41	3951100002	CLUTCH PLATE A FOR AV-1
17	3993900001	0513-24 ROTATION SEAL L	42	3990100029	BALL BEARING M5 FOR AV-1
18	3951100005	SEAL RETAINER(B)(SUS304AVC-012B)	43	3951100003	CLUTCH PLATE B FOR AV-1
19	3990100502	SCREW SUS304 M3X10 TP	44	3951100004	CLUTCH PLATE C FOR AV-1
20	3990100250	PIN (SUS301 M3XL25)	45	3951104013	CLUTCH WASHER 0.5X10X17 FOR AV-1
21	3990100602	TAPPING SCREW M3.5X12SUS	46	3951200004	CLUTCH SPRING FOR AV-1
22	395110011/2	2 PC LOCKING BRACKET ASSY (USA NO.)	47	3951104013	CLUTCH WASHER 0.5X10X17 FOR AV-1
22a	3951100101	CLAMP BODY (ASSY ONLY, SEE ABOVE)	48	3950000004	CLUTCH SPRING RETAINER (SUS304)
22b	3951100102	CLAMP LOCK (ASSY ONLY, SEE ABOVE)	49	3990100028	WASHER CORRUGATED SUS304 M5
23	3993000152	O-RING FOR GEAR CASE HOUSING	50	3950004008	CLUTCH RETAINER SCREW (SUS304)
24	3993000177	O-RING BODY ORANGE			#48 - #50 UPDATED 8-27-2015

* OUT OF PRODUCTION

av-1 bulkhead assembly



No.	Code	Description
	2952080002	CENTER BULKHEAD ASSY FOR AV-1
1	3990100100	SCREW (SUS304 M3X10)
*2	2958000006	BATTERY PLUG ASSY FOR AV-1
3	3990100507	0130-65 SCREW (SUS304 M5X30)
4	3990100012	WASHER M5 SUS FOR SADDLE
5	3990100508	0130-78 SCREW (SUS304 M4X6X7)
6	3990500012	0120-77 WASHER/SPRING PBSP M4
7	3950004005	BATTERY TERMINAL SHAFT(C3604 AVD112)
8	3993080008	TERMINAL O-RING (AS568-008)
9	3100101101	PLUG (A) : 3/8 FOR L.P.
10	3993592011	O-RING ARP-011/HS75
11	3950004003	SOCKET SLEEVE (C3604 AVD116) FOR AV-1&AV-2C
12	3950004004	SOCKET CAP C3604(AVD117)FOR AV-1&AV-2C
13	3951200001	SOCKET SPRING (SUS304 AVD115) FOR AV-1&AV-2C
14	3950004002	SHAFT THD'D TERMINAL FOR AV-1
15	3990100505	SCREW BODY ASSY(SUS304 M4X22)
16	3952015030	SENSOR LAMP COVER

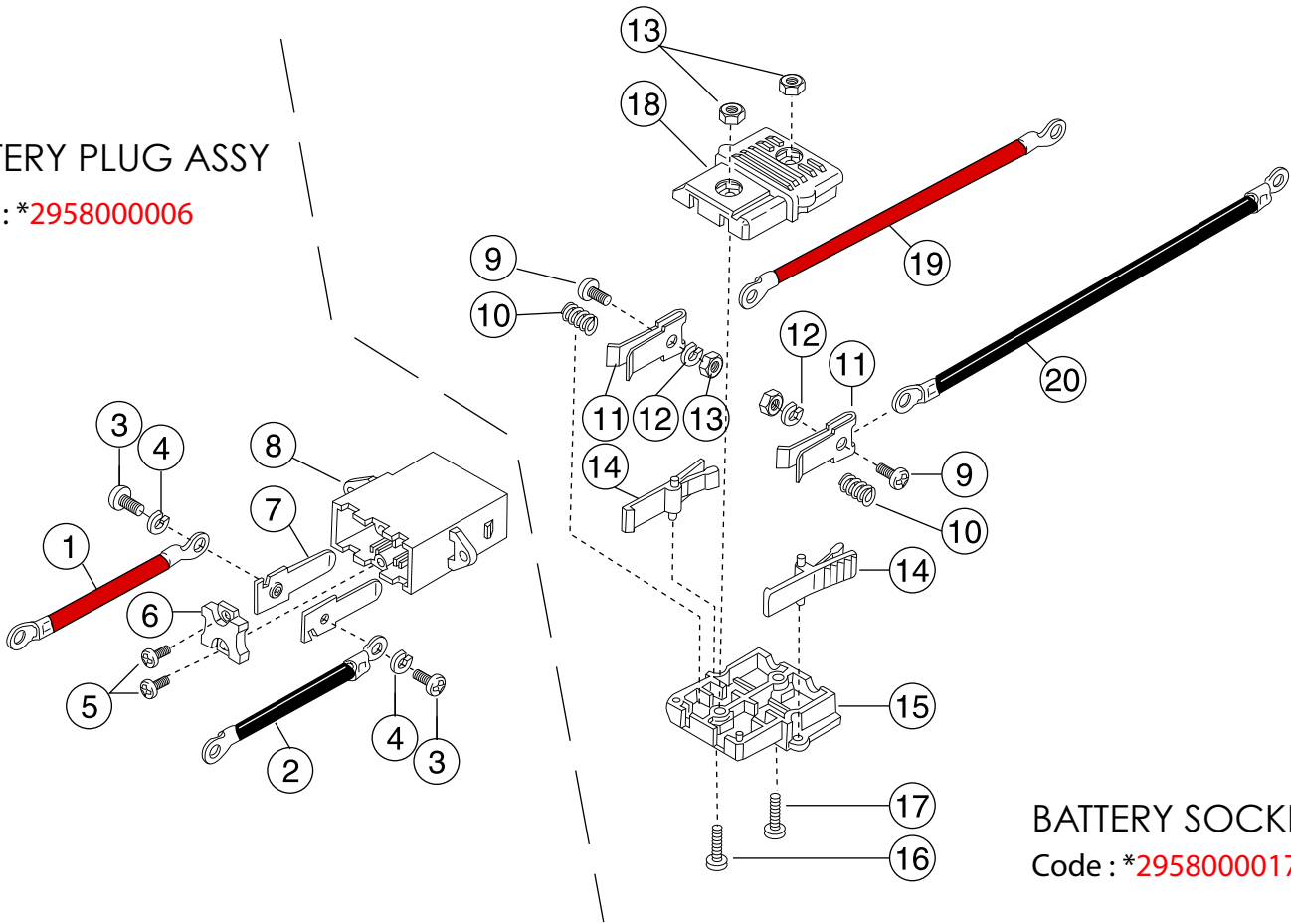
No.	Code	Description
17	3952080009	BULKHEAD PLATE FOR AV-1&AV-2C
*18	3952280008	NUMBER SEAL
19	3998000009	POWER RELAY ASSY (VF12HU-UL)
20	3990100011	WASHER M4 SUS304 4.3X8
21	3990100030	SCREW SUS304 M4X12
22	3998000015	DIODE (NEC IS955)
23	3990100011	WASHER M4 SUS304 4.3X8
24	3990100510	0150-53 NUT/HEX BS M4P-0.7
25	2958000001	TERMINAL POWER RELAY ASSY
26	3990500012	0120-77 WASHER/SPRING PBSP M4
27	2958000003	POWER RELAY TERMINAL ASSY (AWG24 BK L120)
28	3993000268	O-RING BODY HOUSING
29	2958000002	POWER RELAY SOCKET ASSY
30	3990100100	SCREW (SUS304 M3X10)
*31	2958000009	WATER LEAK SENSOR ASSY FOR AV-1
32	3992280011	NYLON WEB FOR WATER LEAK SENSOR
19+25	2958100015	POWER RELAY ASSY FOR AV-1

* OUT OF PRODUCTION

av-1 battery plug assy (b/h) & battery socket assy

BATTERY PLUG ASSY

Code : *295800006



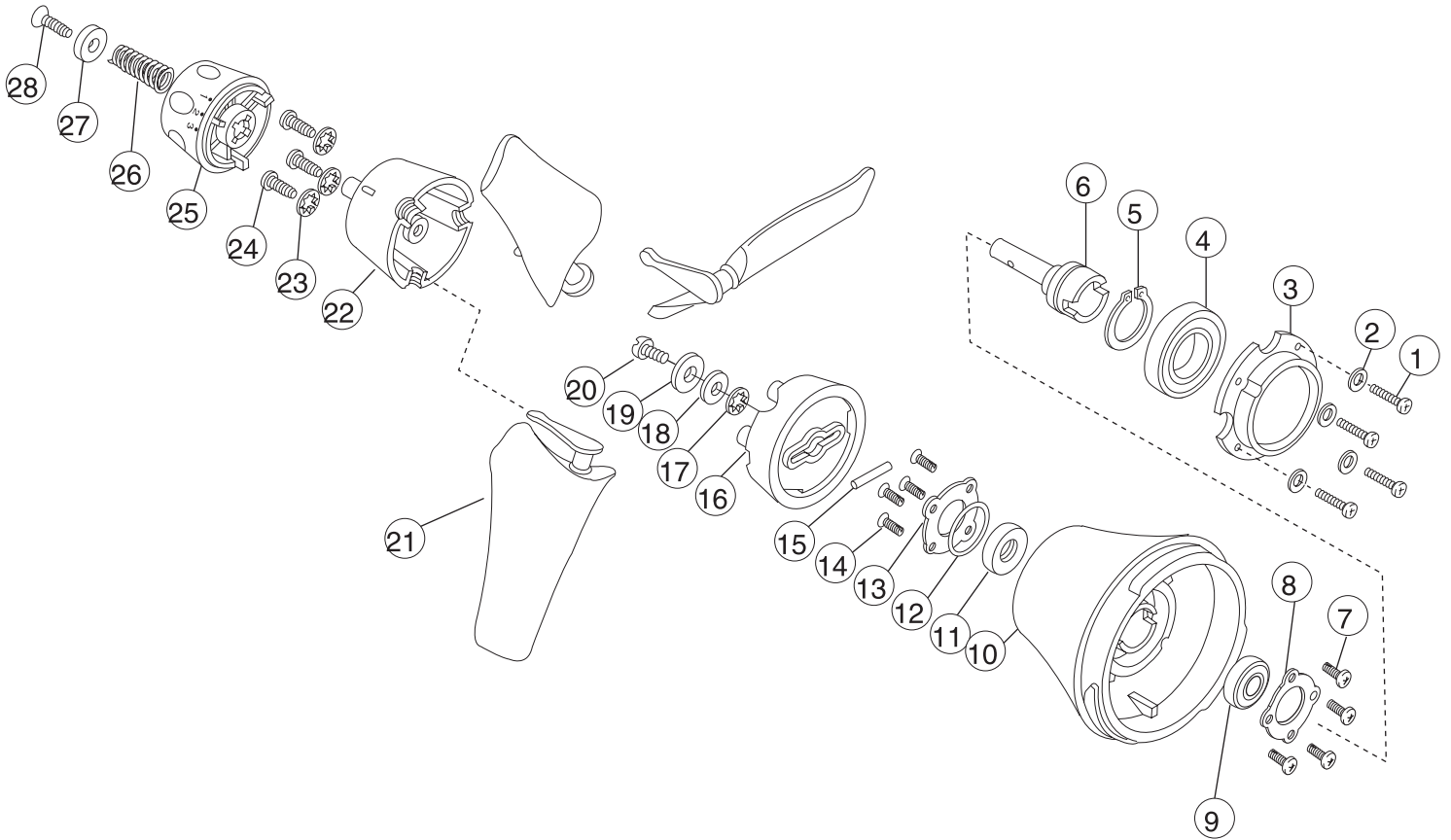
BATTERY SOCKET ASSY

Code : *295800017

No.	Code	Description	No.	Code	Description
*1~8	295800006	BATTERY PLUG ASSY FOR AV-1	*9~20	295800017	BATTERY SOCKET ASSY FOR AV-1

* OUT OF PRODUCTION

av-1 propeller assembly



No.	Code	Description	No.	Code	Description
	2952080009	PROPELLER ASSY FOR AV-1	15	3990100250	PIN (SUS301 M 3XL25) - 280 N/A
1	3990100521	0130-73 SC REW (SUS304 TP M3X16TP)	16	3952080038	PROPELLER BASE FOR AV-1
2	3990100010	WASHER M3 SUS304 3.2X6	17	3990100028	WASHER CORRUGATED SUS304 M 5
3	3952080041	BEARING HOUSING	18	3990100027	BELLEVILLE SPRING
4	3990200003	BEARING SS6005Z SEA 47OD (NSK)(GRADE 0)	19	3951100009	PROPELLER BASE WASHER M5 (SUS304)
5	3990100057	0240-14 C -RING SUS304 STW-25	20	3950004008	C LUTCH RETAINER SC REW (SUS304)
6	3950000002	PROPELLER SHAFTSUS304 SEA	21	3952080026	PROPELLER BLADE ASSY
7	3990100501	0130-82 SC REW RETAINER PLT (M3X12 TP)	22	3952080036	PROPELLER C ASING R ETAINER
8	3951100001	BEARING R ETAINER (SUS304 AVC 015)	23	3990100021	WASHER SUS304 M 4
9	3990200002	BEARING SUS304 6000ZZ SEA (GR ADE 0)	24	3990100504	SC REW M4X16X7 TP
10	3952080004	C ASING PR OPELLER SHAFT	25	3952080037	PITC H KNOB (PBT)
11	3993600000	0513-23 SEAL F A FAJ1 10X 25X7	26	3951200003	SPRING KNOB SUS304
12	3993592022	O-RING AR P-022/HS75	27	3950004009	KNOB SC REW WASHER (C 3601BA)
13	3951100005	SEAL RETAINER(B)(SUS304AVC -012B)	28	3990100512	0130-76 SC REW (SUS304 M 5X20X10)
14	3990100502	SC REW SUS304 M 3X10 TP			