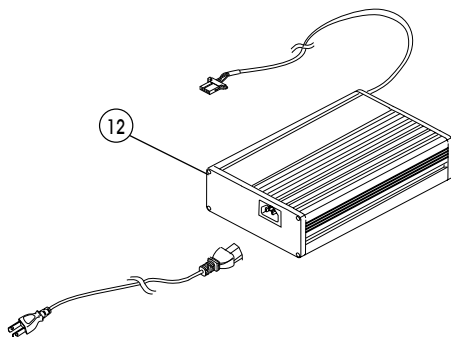
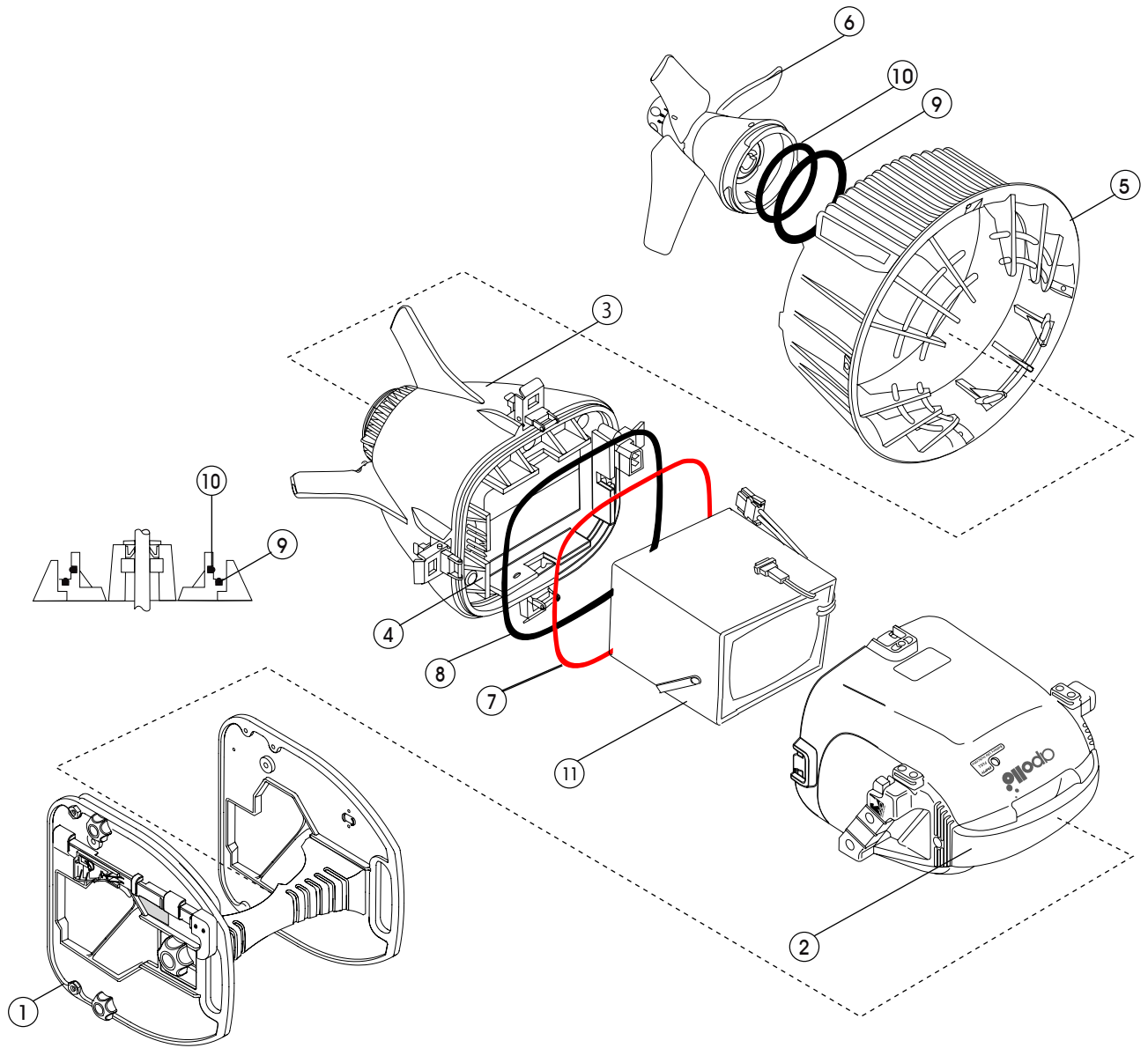


av-2 Evolution VDS (201788 - 202438)

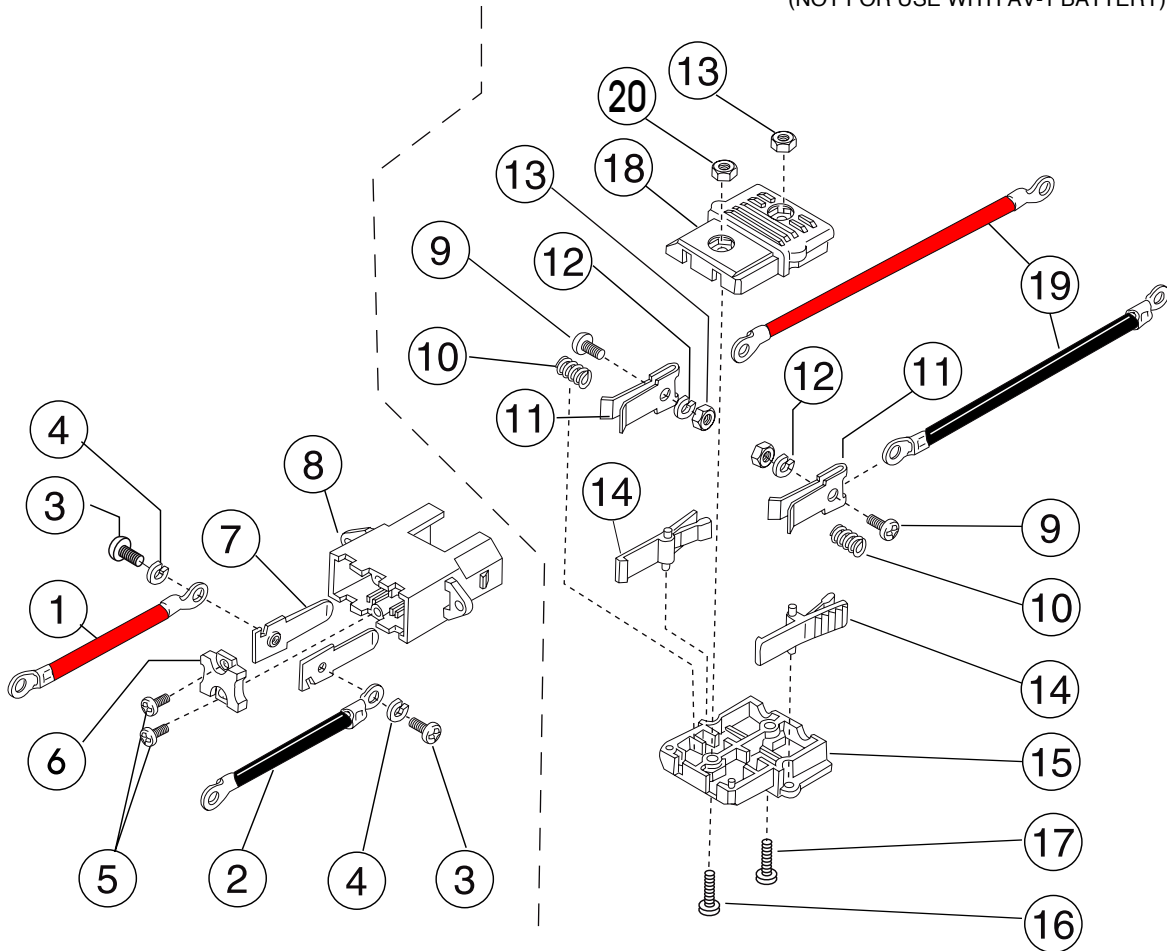


No.	Code	Description
1	1952080010	SADDLE ASSEMBLY
2	2952080011	HEAD ASSY FOR AV-2 BK
3	2952080013	BODY ASSY FOR AV-2E
4	2952080203	BULKHEAD ASSY FOR AV-2 VR2
5	3952080040	PROPELLER COVER (BK)
6	2952080101	PROPELLER ASSY FOR AV-2
7	3993000177	O-RING BODY ORANGE
8	3993000270	O-RING BODY BLACK
9	3993000239	PROPELLER AXIS O-RING (LARGE)
10	3993000236	PROPELLER AXIS O-RING (SMALL)
11	1958100080	Li-ion BATTERY FOR AV-2
12	1958100011	CHARGER FOR AV-2 Li-ion BATTERY

av-2 / av-2E / av-2C Battery plug & socket Assy

1-8 PLUG ASSEMBLY FOR AV-2 B/H
(NOT FOR USE WITH AV-1)

9-20 SOCKET ASSEMBLY FOR APOLLO
AV-2 BATTERY SLA 24V/13A
(NOT FOR USE WITH AV-1 BATTERY)



No.	Code	Description
1~8	2958000023	BATTERY PLUG ASSY FOR AV-2 BULKHEAD

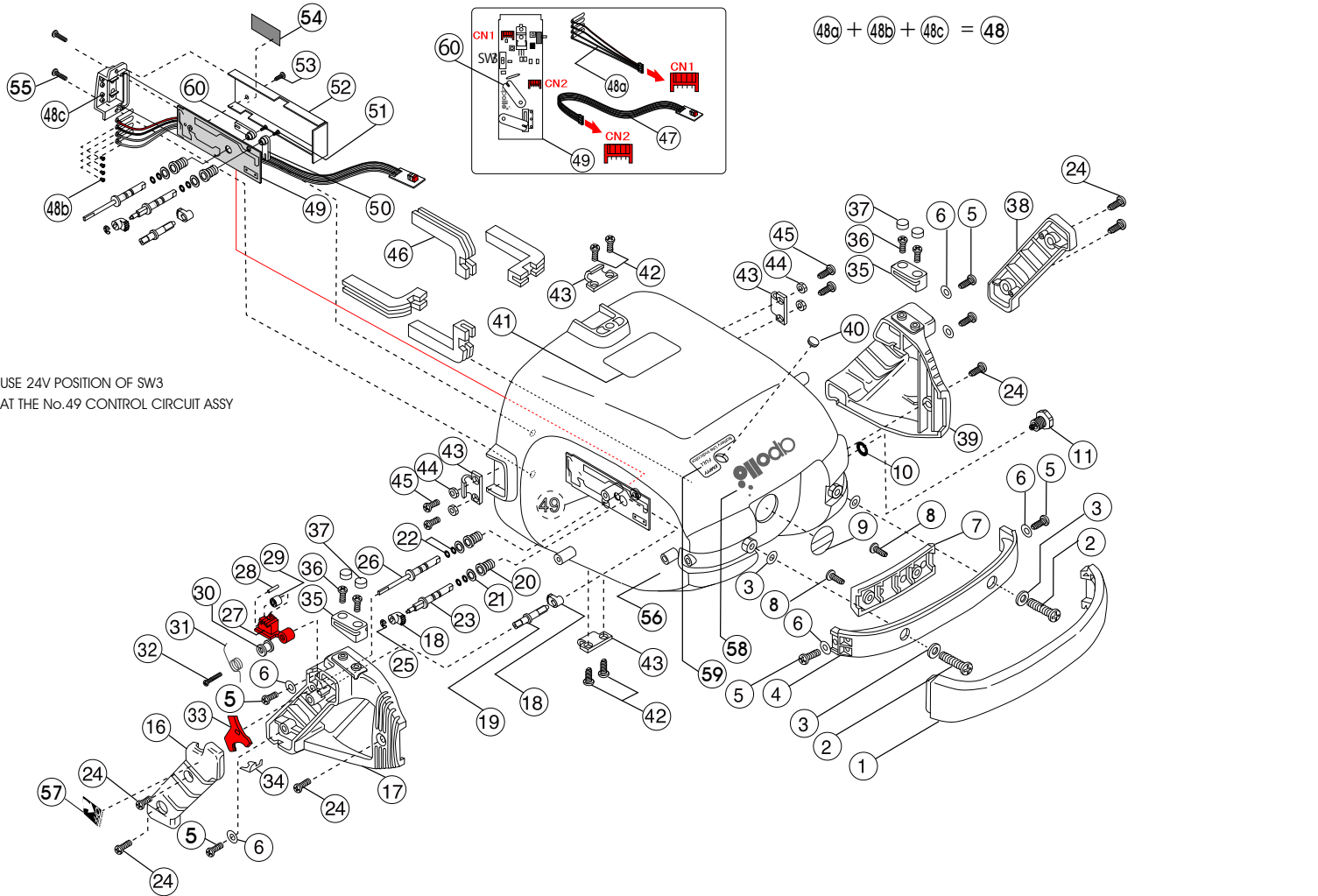
No.	Code	Description
9~20	2958000029	AV-2 BATTERY SOCKET ASSY FOR 13A SLA

NOT PICTURED
3998000096 AV-2 FUSE LI-ION
3998000097 AV-2 FUSE SOCKET LI-ION

APOLLO USA DPV 201918+
OPTIMIZED FOR LI-ION BATTERY

APOLLO USA DPV 200569 - 201917
OK FOR USE WITH LI-ION BATTERY
NOT OPTIMIZED, PARTS UPGRADE
MAY BE REQUIRED.

av-2 / av-2 Evolution Head Assy

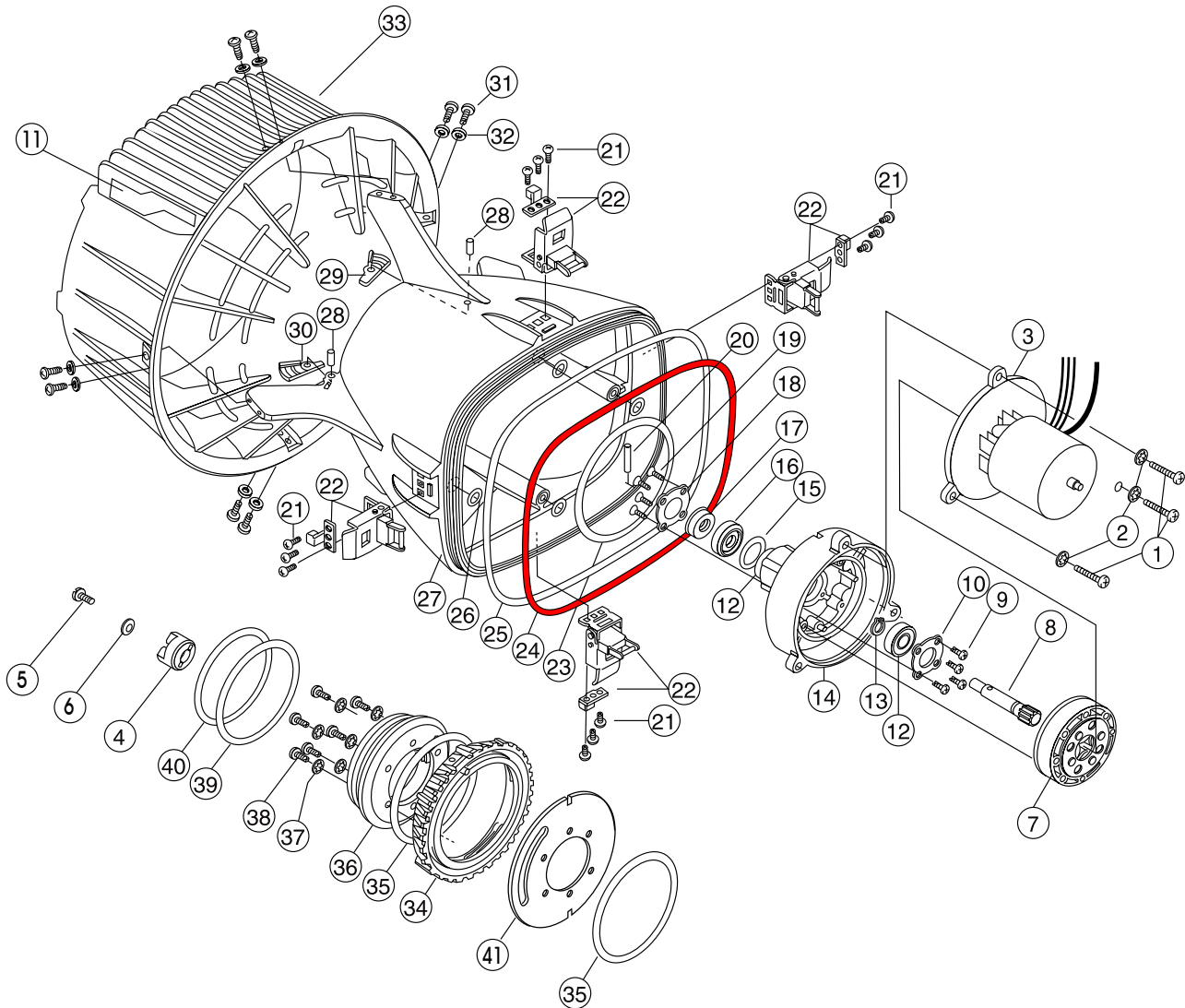


USE 24V POSITION OF SW3
AT THE No.49 CONTROL CIRCUIT ASSY

No.	Code	Description	No.	Code	Description
	2952080011	HEAD ASSY FOR AV-2 BK	32	3990100087	SCREW (M2.6X14) FOR AV-2
1	3953080000	BUMPER	33	3952080106	MAIN SWITCH (POM GF20 RED)
2	3990100507	O130-65 SCREW (SUS304 M5X30)	34	3951104014	LOCKING LEVER SPRING
3	3990100012	WASHER M5 SUS FOR SADDLE	35	3952080030	ACCESSORY SHOE (PBT)
4	3952080032	CARRYING HANDLE	36	3990100501	O130-82 SCREW RETAINER PLT (M3X12 TP)
5	3990100504	SCREW M4X16X7 TP	37	3952080031	SCREW COVER
6	3990100011	WASHER M4 SUS304 4.3X8	38	3952080023	COVER GRIP LEFT (ABS)
7	3952080033	CARRYING HANDLE COVER	39	3952080010	GRIP LEFT (ABS)
8	3990100030	SCREW SUS304 M4X12	40	3952400001	INDICATOR WINDOW (ACRYL)
9	3952280008	NUMBER SEAL	41	3952280022	CAUTION LABEL FOR EMERGENCY FLOAT
10	3993390508	O-RING S-8/HS50	42	3990100503	TRUSS SCREW (SUS 304 M3.5X8)
11	2959900010	RELIEF VALVE ASSY FOR AV-2/AVX	43	3951100103	CLAMP HOOK
16	3952080025	COVER GRIP RIGHT (ABS)	44	3990100605	CORRUGATED SPACER
17	3952080103	GRIP RIGHT (ABS) FOR AV-2	45	3990100601	SCREW SUS304 M3.5X10
18	3952080107	TRIGGER GEAR (POM)	46	3953080001	BATTERY HOLDER (AVD063)
19	3950100007	AXIS FOR ACCELERATOR (C3601 NI-CR)	47	3958000038	INDICATOR ASSY (LED CIRCUIT)
20	3950100005	COLLAR FOR SWITCH AXIS (C3601B NI-CR)	48	2958000039	CONNECTING WIRE ASSY FOR AV-2 CIRCUIT
21	3952400000	TEFLON WASHER	48a	3958000039	CONNECTING WIRE
22	3993090003	O-RING NBR (P-3/HS50)	48b	3990100204	SCREW M2X4 SUS304 FOR AV-2
23	3950100006	SPEED CONTROL AXIS (C3601B NI-CR)	48c	3952080104	CIRCUIT HOLDER (ABS)
24	3990100091	SCREW M4X16X7 TP FOR AV-2	49	2958000124	CONTROL CIRCUIT ASSY
25	3990100095	E-RING (M3.7 T=1.8)	50	3952080108	SWITCH ARM (POM)
26	3950100008	MAIN AXIS FOR SWITCH(C3601B NI-CR)	51	3990100088	SCREW M3X6 SUS304 FOR AV-2
27	3952080105	ACCELERATOR LEVER FOR AV-2	52	3951100201	WATERPROOF & RADIATION COVER (AL)
28	3990100094	PIN FOR AV-2	53	3990100089	SCREW M3X6 SUS304 FOR AV-2E (AL)
29	3952080110	ROLLER FOR ACCELERATOR (POM WT)	54	3954600002	BATTERY SWITCH LABEL
30	3950004006	SW SPRING SLEEVE	55	3990100602	TAPPING SCREW M3.5X12SUS
31	3951200032	SWITCH SPRING FOR AV-2	56	3952080100	FRONT COVER (BK) FOR AV-2(ABS WITH HOLE)
			57	3954600027	BATTERY SWITCH LABEL LI-ION/LEAD ACID NI-MH
			58	3952280006	STICKER
			59	3954600005	BATTERY VOLUME LABEL FOR AV-2
			60	3951900015	SWITCH MAGNET ASSY

av-2 E Body Assy

- ※ Parts #20 3990100093 is used in serial number after 201038
- ※ Parts #20 3990100250 is used in serial number before 201037



No.	Code	Description
	2952080013	BODY ASSY FOR AV-2E
1	3990100068	SCREW BK M4X15 FOR AV-2 MOTOR
2	3990100021	WASHER SUS304 M4
3	2950900002	MOTOR ASSY FOR AV-2E (TD5039-242)
4	3950100004	JOINT FOR PROPELLER SHAFT (C3604NI)
5	3950004008	CLUTCH RETAINER SCREW (SUS304)
6	3990100012	WASHER M5 SUS FOR SADDLE
7	3995090001	GEAR ASSY FOR MOTOR
8	3950000005	CLUTCH AXLE MOTOR ASSY
9	3990100067	SCREW RETAINER PLATE BK M3 X 8
10	3951100001	BEARING RETAINER (SUS304 AVC015)
11	3954600021	PROPELLER COVER LABEL
12	3990200001	BEARING 6000HZ 26OD (NSK)(GRADE 0)
13	3990100022	RETAINING RING C CLIP CLUTCH
14	3952080011	GEAR CASE FOR AV-2E (AL DMS5)
15	3993000120	O-RING SEAL(AS568-120 HS-50)
16	3953000000	SEAL HOLDER(C3604 AVC013)
17	3993900001	0513-24 ROTATION SEAL L
18	3951100005	SEAL RETAINER(B)(SUS304AVC-012B)
19	3990100066	SCREW SUS M3X8
20	3990100093	PIN (3X16)
	3990100250	PIN (SUS301 M3XL25)

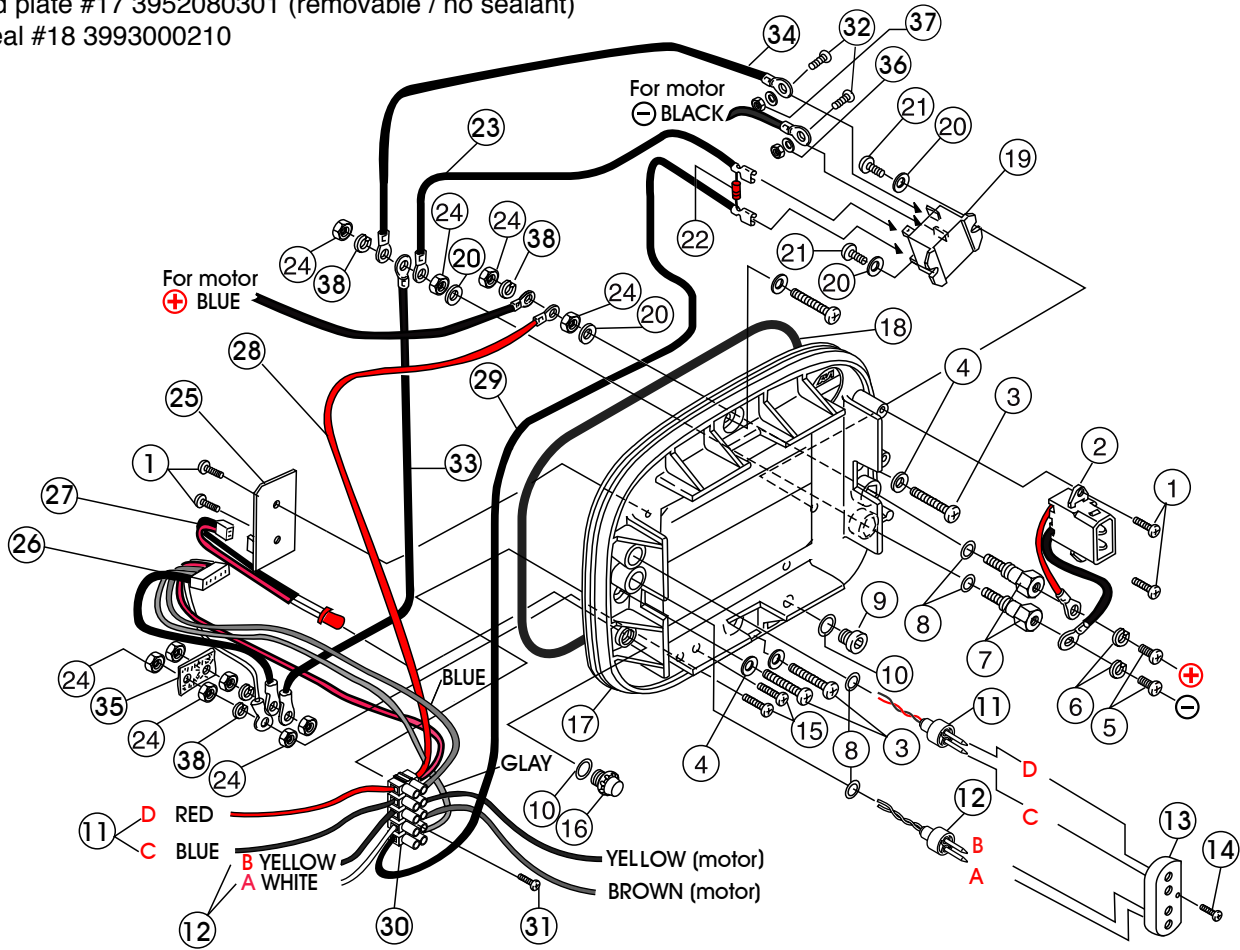
No.	Code	Description
21	3990100601	SCREW SUS304 M3.5X10
22	3951100101	CLAMP BODY
	3951100102	CLAMP LOCK
23	3993000152	O-RING FOR GEAR CASE HOUSING
24	3993000177	O-RING BODY ORANGE
25	3993000270	O-RING BODY BLACK
26	3993080009	O-RING AS568-010
27	3952080039	BODY HOUSING (BK)
28	3990100080	CLAMP LOCK PIN(SUS304 3MX8)
29	3952080006	CLAMP RING L(ABS AVD027)
30	3952080005	CLAMP RING R(ABS AVD027)
31	3990100504	SCREW M4X16X7 TP
32	3990100011	WASHER M4 SUS304 4.3X8
33	3952080040	PROPELLER COVER (BK)
34	3952080003	CLAMP RING (PBT G30 AVC119)
35	3993000152	O-RING FOR GEAR CASE HOUSING
36	3952080012	GEAR CASE RETAINER
37	3990100021	WASHER SUS304 M4
38	3990100069	SCREW SUS M4X14 FOR GEAR CASE RETNR
39	3993000239	PROPELLER AXIS O-RING (LARGE)
40	3993000236	PROPELLER AXIS O-RING (SMALL)
41	3952080300	RADIATION PLATE

av-2 Evolution VDS bulkhead Assy

serial No. after 201582

bulkhead plate #17 3952080301 (removable / no sealant)

o-ring seal #18 3993000210

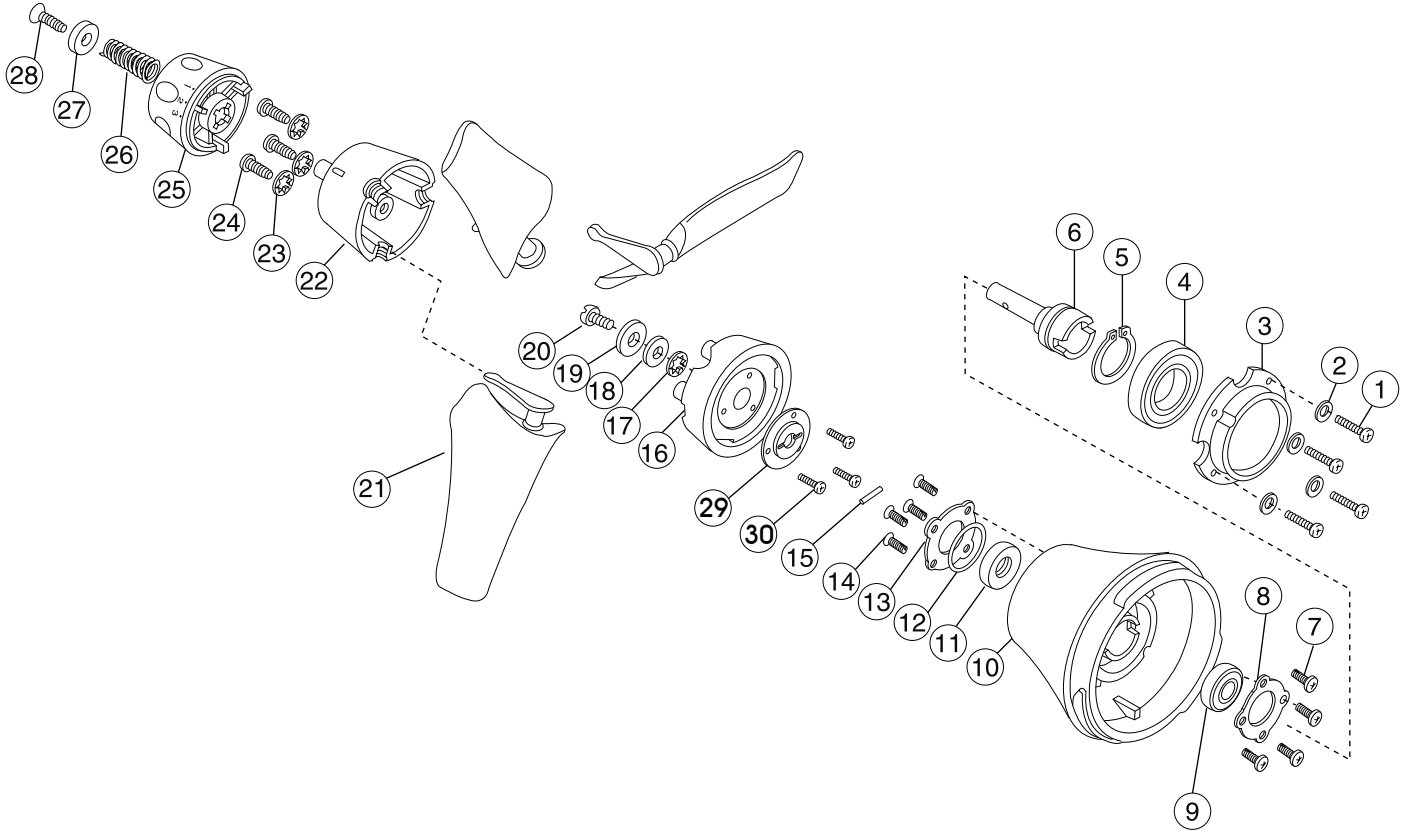


*25 #2958000101 WATER LEAK SENSOR ASSY V.2 FOR AV-2 SCOOTER IS OUT OF PRODUCTION. AS A SUBSTITUTE, PLEASE USE #2958000112 WATER LEAK SENSOR ASSY FOR AV-2/AVX

No.	Code	Description
1	3990100100	SCREW(SUS304 MBX10) FOR AV-2 SCOOTER
2	2958000023	AV-2 BATTERY PLUG ASSY
3	3990100507	0130- 65 SCREW(SUS304 M5X30)
4	3990100012	WASHER M5 SUS304 5.3X10 FOR AV-2
5	3990100508	0130- 78 SCREW(SUS304 M4 X 6 X 7
6	3990500012	SPRING WASHER M4 (PBSP M4)
7	3950004005	BATTERY TERMINAL SHAFT(C3604 AVD112)AV-2
8	3993080008	TERMINAL O-RING (AS568-008) FOR AV-2
9	3100101101	PLUG(A) :3/8 FOR L.P
10	3993592011	O-RING ARP-011/HS75 (REGULATOR & B.C)
11	2958000026	CONNECT HOLDER ASSY A (RD & BL)
12	2958000027	CONNECT HOLDER ASSY B (YL & WT)
13	3952080112	CONNECT RETAINER (ABS BK)
14	3990100208	SCREW
15	3990100505	SCREW(SUS304 M4X22) FOR AV-2
16	3952015030	SENSOR LAMP COVER FOR AV-2 SCOOTER (PC RD)
17	3952080301	BULKHEAD PLATE FOR AV-2 (PC GF10)
18	3993000210	O-RING BODY HOUSING FOR AV-2
19	3998000009	POWER RELAY PLUG ASSY FOR AV-2 SCOOTER (VF12HU-UL)

No.	Code	Description
20	3990100011	WASHER M4 SUS304 4.3X8 FOR AV-2 SCOOTER
21	3990100030	SCREWSUS304 M4 X 12 FOR AV-2
22	3998000150	DIODE FOR AV-2 SCOOTER
23	2958000003	POWER RELAY TERMINAL ASSY(AWG24 BK L120)
24	3990100510	0150- 53 NUT/HEX BS M4P-0.7
*25	2958000101	WATER LEAK SENSOR ASSY V.2 FOR AV-2 SCOOTER
26	3958000120	SENSOR CONNECTOR ASSY
27	2958000103	LED ASSY FOR WARNINGTERMINAL
28	3958000037	WRE ASSY FOR AV-2 (AWG22 RD L=320)
29	2958000002	POWER RELAY SOCKET ASSY FOR AV-2 (AWG22 BK L=230)
30	3952085104	TERMINAL BASE (TLB- 100W5P)
31	3990100500	0130- 69 SW SCREW (M2.6X15X4.6 TP)
32	3990104061	0130- 59 SCREW BS M3 X 6
33	3958000125	WRE 16- D (AWG22)
34	2958080001	TERMINAL POWER RELAY ASSY FOR AV-2 (AWG12 BK L=120)
35	3992280011	NYLON WEB FOR AV-1 WATER LEAK SENSOR
36	3990500011	0120- 78 WASHER/SPRING PBSP M3
37	3990104701	0150- 52 NUT/HEX BS M3 NICKEL
38	3990500012	SPRING WASHER M4 (PBSP M4)

av-2 / av-2Evolution / av-2Classic / SVX propeller Assy



No.	Code	Description
	2952080101	PROPELLER ASSY FOR AV-2
1	3990100521	0130-73 SCREW (SUS304 TP M3X16TP)
2	3990100010	WASHER M3 SUS304 3.2X6
3	3952080041	BEARING HOUSING
4	3990200003	BEARING SS6005Z SEA 47OD (NSK)(GRADE 0)
5	3990100057	0240-14 C-RING SUS304 STW-25
6	3950000002	PROPELLER SHAFT SUS304 SEA
7	3990100501	0130-82 SCREW RETAINER PLT (M3X12 TP)
8	3951100001	BEARING RETAINER (SUS304 AVC015)
9	3990200002	BEARING SUS304 6000ZZ SEA (GRADE 0)
10	3952080004	CASING PROPELLER SHAFT
11	3993600000	0513-23 SEAL FA FAJ1 10X25X7
12	3993592022	O-RING ARP-022/HS75
13	3951100005	SEAL RETAINER(B)(SUS304AVC-012B)
14	3990100502	SCREW SUS304 M3X10 TP
15	3990100093	PIN (3X16)

No.	Code	Description
16	3952080101	PROPELLER BASE FOR AV-2
17	3990100028	WASHER CORRUGATED SUS304 M5
18	3990100027	BELLEVILLE SPRING
19	3951100009	PROPELLER BASE WASHER M5(SUS304)
20	3950004012	CLUTCH RETAINER SCREW(SUS304 M5X12) AV-2
21	3952080026	PROPELLER BLADE ASSY
22	3952080036	PROPELLER CASING RETAINER
23	3990100021	WASHER SUS304 M4
24	3990100504	SCREW M4X16X7 TP
25	3952080037	PITCH KNOB (PBT)
26	3951200003	SPRING KNOB SUS304
27	3950004009	KNOB SCREW WASHER (C3601BA)
28	3990100512	0130-76 SCREW (SUS304 M5X20X10)
29	3950100003	RETAINER FOR PROPELLER BASE (C3601B)
30	3990100030	SCREW SUS304 M4X12